

# HEIKO



Ensure comfort  
wherever  
you stay

**CATALOGUE**  
Air Conditioning Systems  
Heat Pumps

heiko.pl

The background of the entire page is a photograph of a vast mountain range. The hills are rolling and layered, with the foreground being the darkest and the background being the lightest, creating a sense of depth. The lighting is soft and warm, characteristic of the golden hour. The sky is a pale, hazy yellow. The Heiko logo is positioned in the upper left quadrant of the image.

# HEIKO

**Heiko offers air  
conditioning systems  
and heat pumps**



## BRAND

Heiko is a brand that was created in response to the needs of the growing market. Its dynamic enables the introduction of cutting-edge technologies. Heiko systems are friendly solutions for the Users, the Installers and the environment. Our brand is distinguished by a wide range of appliances for homes, offices and business.

## COMFORT

Heiko prioritises User comfort. The appliances are characterised by: quiet operation, high energy efficiency, intelligent Wi-Fi control and easy and quick installation. Split and Multi Split air conditioners ensure efficient operation in independent modes: cooling, heating, drying, fan and AUTO. THERMAL and THERMAL Plus heat pumps feature energy-saving and quiet operation in a wide range of temperatures.

## EFFICIENCY

Air conditioning systems and heat pumps operate based on the eco-friendly R32 refrigerant, which is characterised by reduced global warming potential. In addition, Heiko is distinguished by the inverter technology that significantly reduces the electricity consumption.

# SPLIT


















Split air conditioners are a perfect solution for homes, offices and business. Heiko appliances provide not only cooling and heating. Their functions exceed standard air conditioner features.

A Split unit consists of two basic components — the indoor unit and the outdoor unit. Our product range includes systems with different capacities to suit the room area size. Heiko is timeless design that fits any interior design. Heiko offers advanced appliances with high energy efficiency, equipped with top quality components.

# SPLIT

## Models available

Indoor and outdoor units	Refrigerant	Controller
<b>C1 wall-mounted air conditioners</b>		 YR-HAC01 wireless controller (included)
<b>BRISA wall-mounted air conditioner</b>		 YR-HAC01 wireless controller (included)
<b>ARIA wall-mounted air conditioner</b>		 YR-HAC01 wireless controller (included)
<b>CASSETTE air conditioners with 4-way airflow</b>		 YR-HRC01 wireless controller (optional)  YR-C01 wired controller (optional)
<b>CASSETTE air conditioners with peripheral airflow</b>		 YR-HRC01 wireless controller (optional)  YR-C01 wired controller (optional)
<b>Mobile air conditioner</b>	R290	 Wireless controller (included)

2.5 kW

3.5 kW

5.0 kW

7.0 kW

10.0 kW



JS025-C1



JZ025-C1



JS035-C1



JZ035-C1



JS050-C1



JZ050-C1



JS070-C1



JZ070-C1



JS025-C2



JZ025-C2



JS035-C2



JZ035-C2



JS050-C2



JZ050-C2



JS070-C2



JZ070-C1



JS025-A1



JZ025-A1



JS035-A1



JZ035-A1



JS050-A1



JZ050-A1



CA035-A1



JZ035-A1



CA050-A1



JZ050-A1



CA070-A1



JZ070-A1



CA100-A1



JZ100-A1



AM12HEIA4

# SPLIT

## C1 wall-mounted air conditioners

C1 wall-mounted air conditioners are recognised appliances that operate on the R32 refrigerant. They are available with several capacities, while maintaining high energy efficiency. Moreover, the system operates based on the inverter technology that contributes to lower energy consumption. The slim and simple design of C1 air conditioners makes them a perfect choice for homes, offices and business.

### TEMPERATURE SETPOINT from 16 to 30°C



#### High energy efficiency

Innovative solutions enabled a significant reduction of energy consumption in both cooling and heating mode. The appliances have A++/A+ energy rating.



#### Quick and easy installation

The design of the air conditioners and new technological solutions enable trouble-free and efficient installation. Easier access, increased installation space and right- and left-sided connection options reduce the installation time to as little as 40 min.



#### R32 refrigerant

The R32 refrigerant used in Split air conditioners makes them far more efficient than the appliances operating on the commonly used R410A refrigerant.



#### SMART airflow

An innovative solution for airflow control. The stream is directed upwards during the cooling and downwards during the heating, which enables an even distribution of air, thus preventing direct airflow on the user.

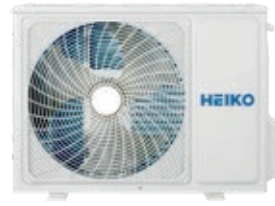


#### Quiet operation

The components comprising the air conditioner and the optimum airflow system ensure quiet operation for comfort during work and leisure.







Wireless controller  
YR-HAC01 (included)

Indoor unit			JS025-C1	JS035-C1	JS050-C1	JS070-C1
Outdoor unit			JZ025-C1	JZ035-C1	JZ050-C1	JZ070-C1
Capacity (cooling)	Rated (min. – max)	Btu/H	8870 (2730 – 10238)	11944 (2730 – 12620)	17060 (4430 – 19790)	23880 (7500 – 29000)
	Rated (min. – max)	kW	2.6 (0.8 ~ 3.0)	3.5 (0.8 ~ 3.7)	5.0 (1.3 ~ 5.8)	7.0 (2.2 ~ 8.5)
Energy efficiency	SEER/EER		6.1/3.23	6.1/2.81	6.1/3.41	7.1/3.23
Energy rating	Cooling		A++	A++	A++	A++
Power input (cooling)	Rated (min. – max)	kW	0.80 (0.30 ~ 1.20)	1.24 (0.30 ~ 1.60)	1.46 (0.40 ~ 2.00)	2.16 (0.70 ~ 2.90)
Annual energy consumption (cooling)		kWh/y	149	201	287	350
Capacity (heating)	Rated (min. – max)	Btu/H	9550 (2730 – 10920)	12280 (2730 – 14330)	17740 (4770 – 20470)	27640 (8190 – 34120)
	Heating -7°C	Btu/H	6347	8463	13890	16890
	Rated (min. – max)	kW	2.8 (0.8 ~ 3.2)	3.6 (0.8 ~ 4.2)	5.2 (1.4 ~ 6.0)	8.1 (2.4 ~ 10.0)
	Heating -7°C	kW	1.86	2.48	4.07	4.95
Energy efficiency	SCOP/COP (moderate climate)		4.0/3.71	4.0/3.41	4.0/3.71	4.0/3.71
	SCOP (warm/cold climate)		5.1/-	5.1/-	5.1/-	5.1/-
Energy rating (heating)	Moderate/warm/cold climate		A+/A+++/-	A+/A+++/-	A+/A+++/-	A+/A+++/-
Power input (heating)	Rated (min. – max)	kW	0.75 (0.30–1.40)	1.05 (0.30–1.60)	1.40 (0.52–2.5)	2.18 (0.70–2.90)
Annual energy consumption (heating)		kWh/y	717	980	1610	1963
Operating range (cooling)	Min. – max (out)	°C	-10 ~ 43	-10 ~ 43	-10 ~ 43	-10 ~ 43
Operating range (heating)	Min. – max (out)	°C	-15 ~ 24	-15 ~ 24	-15 ~ 24	-15 ~ 24
Power supply		f/V/Hz	1/230/50	1/230/50	1/230/50	1/230/50
Power supply (position)			indoor unit		outdoor unit	
Indoor unit			JS025-C1	JS035-C1	JS050-C1	JS070-C1
Package dimensions	W/D/H	mm	708/190/263	820/195/280	1008/225/318	1125/240/335
Dimensions with packaging	W/D/H	mm	786/270/348	909/279/355	1085/329/403	1206/342/418
Net/gross weight		kg	7.4/8.8	8.2/10.5	11.6/14.4	14/17.5
Airflow (cooling/heating)	Max	m³/h	500	550	900	1200
Sound power level		dB(A)	54	56	57	60
Sound pressure level		dB(A)	37/32/28/18	37/33/29/19	44/40/35/28	47/43/37/30
Moisture removal capacity		10³m³/h	1.2	1.6	2.0	2.8
Outdoor unit			JZ025-C1	JZ035-C1	JZ050-C1	JZ070-C1
Compressor			Hitachi	Hitachi	Hitachi	Hitachi
Net dimensions	W/D/H	mm	700/245/544	700/245/544	800/275/553	890/353/697
Packaging dimensions	W/D/H	mm	845/320/593	845/320/593	954/409/625	1046/460/780
Net/gross weight		kg	22.6/25.1	22.8/25.3	32.7/36.5	47.3/52.3
Airflow (cooling/heating)	Max	m³/h	2100	2100	2500	2900
Sound power level		dB(A)	62	62	65	65
Sound pressure level		dB(A)	49	50	53	52
Operating current	Max	A	6.2	7.1	11.3	13
Refrigerant filling	Refrigerant type		R32	R32	R32	R32
	Refrigerant filling	g	460	500	900	1200
Refrigerant piping	Liquid pipe diameter	mm	6.35	6.35	6.35	6.35
	Gas pipe diameter	mm	9.52	9.52	12.7	12.7
	Max pipeline length/Max level difference	m	15/10	15/10	25/15	25/15
	Max pipeline length without additional filling	m	5	5	7	7
	Extra refrigerant per metre of pipeline	g/m	20	20	20	20

# SPLIT

## BRISA wall-mounted air conditioners

BRISA wall-mounted air conditioners are advanced appliances with high energy efficiency, equipped with top quality compressors. The sophisticated style of BRISA air conditioners makes them a perfect choice for homes and offices. The temperature control and the use of air conditioner functionalities are facilitated by the Wi-Fi control in standard and the included wireless controller.

### TEMPERATURE SETPOINT from 16 to 30°C



#### Wi-Fi control

The Wi-Fi control in standard enables controlling the air conditioner with your smartphone connected to the Internet from any place. The comfortable and intuitive Wi-Fi INTELLIGENT AIR app enables access to all basic settings of the air conditioner.



#### High energy efficiency

Innovative solutions enabled a significant reduction of energy consumption in both cooling and heating mode. The appliances have A++/A+ energy rating.



#### SMART airflow

An innovative solution for airflow control. The stream is directed upwards during the cooling and downwards during the heating, which enables an even distribution of air, thus preventing direct airflow on the user.



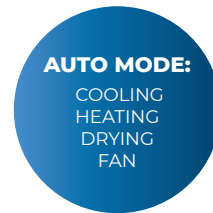
#### Airflow speed control

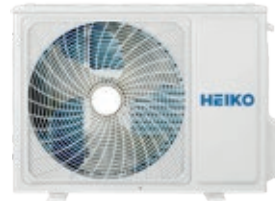
The option to control airflow shutters vertically and horizontally enables precise direction of the airflow. The up-down control function is available from the wireless controller and the Wi-Fi Intelligent Air app. The left-right control is done manually.



#### Quiet operation

The components comprising the air conditioner and the optimum airflow system ensure quiet operation for comfort during work and leisure.





Wireless controller  
YR-HAC01 (included)

Outdoor unit

Indoor unit			JS025-C2	JS035-C2	JS050-C2	JS070-C2
Outdoor unit			JZ025-C2	JZ035-C2	JZ050-C2	JZ070-C1
Capacity (cooling)	Rated (min – max)	Btu/H	8870 (2730 – 10238)	10920 (2730 – 12286)	17060 (4430 – 19790)	23880 (7500 – 29000)
	Rated (min – max)	kW	2.6 (0.8 – 3.0)	3.2 (0.8 – 3.6)	5.0 (1.3 – 5.8)	7.0 (2.2 – 8.5)
Energy efficiency	SEER/EER		6.1/3.23	6.1/3.01	6.1/3.41	7.1/3.23
Energy rating	Cooling		A++	A++	A++	A++
Power input (cooling)	Rated (min – max)	kW	0.80 (0.30 – 1.20)	1.06 (0.30 – 1.60)	1.46 (0.40 – 2.00)	2.16 (0.70 – 2.90)
Annual energy consumption (cooling)		kWh	149	184	287	350
Capacity (heating)	Rated (min – max)	Btu/H	9555 (2730 – 10920)	11603 (2730 – 14330)	17740 (4770 – 20470)	27640 (8190 – 34120)
	Rated (min – max)	kW	2.8 (0.8 – 3.2)	3.4 (0.8 – 4.2)	5.2 (1.4 – 6.0)	8.1 (2.4 – 10.0)
Energy efficiency	SCOP/COP (moderate climate)		4.0/3.71	4.0/3.40	4.0/3.71	4.0/3.71
	SCOP (warm/cold climate)		5.1/-	5.1/-	5.1/-	5.1/-
Energy rating (heating)	Moderate/warm/cold climate		A+/A+++/-	A+/A+++/-	A+/A+++/-	A+/A+++/-
Power input (heating)	Rated (min – max)	kW	0.75 (0.30 – 1.40)	1.0 (0.30 – 1.60)	1.40 (0.52 – 2.5)	2.18 (0.70 – 2.90)
Annual energy consumption (heating)		kWh	840	980	1610	1963
Operating range (cooling)	Min – Max (out)	°C	-10 ~ 43	-10 ~ 43	-10 ~ 43	-10 ~ 43
Operating range (heating)	Min – Max (out)	°C	-15 ~ 24	-15 ~ 24	-15 ~ 24	-15 ~ 24
Power supply		f/V/Hz	1/220-240/50	1/220-240/50	1/220-240/50	1/230/50
Power supply (position)			Outdoor unit			
Indoor unit			JS025-C2	JS035-C2	JS050-C2	JS070-C2
Package dimensions	width/depth/height	mm	820/195/280	820/195/280	1008/225/318	1125/240/335
Dimensions with packaging	width/depth/height	mm	909/279/355	909/279/355	1085/329/403	1206/342/418
Net/gross weight		kg	8.2/10.5	8.2/10.5	11.6/14.4	14/17.5
Airflow (cooling/heating)	Max	m³/h	500	550	900	1200
Sound power level		dB(A)	54	56	57	60
Sound pressure level		dB(A)	37/33/29/19	38/34/29/20	44/40/35/28	47/43/37/30
Moisture removal capacity		10³m³/h	1	1.4	2.0	2.8
Outdoor unit			JZ025-C2	JZ035-C2	JZ050-C2	JZ070-C1
Compressor			HIGHLY	HIGHLY	HIGHLY	HIGHLY
Net dimensions	width/depth/height	mm	700/245/544	700/245/544	800/275/553	890/353/697
Packaging dimensions	width/depth/height	mm	845/320/593	845/320/593	954/409/625	1046/460/780
Net/gross weight		kg	22.8/25.3	23.5/26	32.7/36.5	47.3/52.3
Airflow (cooling/heating)	Max	m³/h	2100	2100	2500	2900
Sound power level		dB(A)	62	63	65	65
Sound pressure level		dB(A)	49	50	53	52
Operating current	Max	A	6.2	7.1	11.3	13
Refrigerant filling	Refrigerant type		R32	R32	R32	R32
	Refrigerant filling	g	510	530	900	1200
Refrigerant piping	Liquid pipe diameter	mm	6.35	6.35	6.35	6.35
	Gas pipe diameter	mm	9.52	9.52	12.7	12.7
	Max pipeline length/Max level difference	m	20/10	20/10	25/15	25/15
	Max pipeline length without additional filling	m	5	5	7	7
	Extra refrigerant per metre of pipeline	g/m	20	20	20	20

# SPLIT

## ARIA wall-mounted air conditioners

ARIA wall-mounted air conditioners are a perfect solution for allergy sufferers! Appliances are equipped with air ionisers that always generate negative ions during the cooling or heating. Negative ions are generated by the ioniser neutralise the charge of positive ions by causing the contaminants to fall on the floor, while reducing the risk of allergy and various infections. The ioniser also helps neutralising the odours in the room.

### TEMPERATURE SETPOINT from 16 to 30°C

#### Ioniser



The ioniser improves air quality in the room. Electrical equipment generates positive ions, also referred to as electrosmog, that attract dust and viruses. Negative ions are generated by the ioniser neutralise the charge of positive ions by causing the contaminants to fall on the floor, while reducing the risk of allergy and various infections. The ioniser also helps neutralising the odours in the room.

#### Wi-Fi control



The Wi-Fi control in standard enables controlling the air conditioner with your smartphone connected to the Internet from any place. The comfortable and intuitive Wi-Fi INTELLIGENT AIR app enables access to all basic settings of the air conditioner.

#### High energy efficiency



Innovative solutions enabled a significant reduction of energy consumption in both cooling and heating mode. The appliances have A+++/A++ energy rating.

#### SMART airflow



An innovative solution for airflow control. The stream is directed upwards during the cooling and downwards during the heating, which enables an even distribution of air, thus preventing direct airflow on the user.

#### Airflow speed control



The option to control airflow shutters vertically and horizontally enables precise direction of the airflow. The up-down and left-right control functions are available from the wireless controller and the Wi-Fi Intelligent Air app.

#### TURBO MODE

ONE-TOUCH  
FULL POWER

#### SLEEP FUNCTION

MAKE YOUR  
SLEEP  
COMFORTABLE

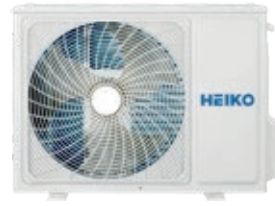
#### AUTO MODE:

COOLING  
HEATING  
DRYING  
FAN





(included)



Outdoor unit



Indoor unit			JS025-A1	JS035-A1	JS050-A1
Outdoor unit			JZ025-A1	JZ035-A1	JZ050-A1
Capacity (cooling)	Rated (min – max)	Btu/H	8870 (2730–10920)	11940 (3410–13650)	17740 (4770–20470)
	Rated (min – max)	kW	2.6 (0.8 – 3.2)	3.5 (1.0 – 4.0)	5.2 (1.4 – 6.0)
Energy efficiency	SEER/EER		8.5/4.00	8.5/4.00	7.2/3.68
Energy rating	Cooling		A+++	A+++	A++
Power input (cooling)	Rated (min – max)	kW	0.65 (0.2 – 1.5)	0.88 (0.3 – 1.5)	1.4 (0.5 – 2.0)
Annual energy consumption (cooling)		kWh	107	144	253
Capacity (heating)	Rated (min – max)	Btu/H	10920 (2730–14330)	14330 (3410–17740)	20470 (4770–23540)
	Rated (min – max)	kW	3.2 (0.8 – 4.2)	4.2 (1.0 – 5.2)	6.0 (1.4 – 6.9)
Energy efficiency	SCOP/COP (moderate climate)		4.6/4.0	4.6/3.81	4.6/4.0
	SCOP (warm/cold climate)		5.5/-	5.5/-	5.6/-
Energy rating (heating)	Moderate/warm/cold climate		A++/A+++/-	A++/A+++/-	A++/A+++/-
Power input (heating)	Rated (min – max)	kW	0.8 (0.30 – 1.60)	1.1 (0.50 – 1.60)	1.5 (0.52 – 2.35)
Annual energy consumption (heating)		kWh	731	854	1401
Operating range (cooling)	Min – Max (out)	°C	-20 ~ 43	-20 ~ 43	-20 ~ 43
Operating range (heating)	Min – Max (out)	°C	-20 ~ 24	-20 ~ 24	-20 ~ 24
Power supply		f/V/Hz	1/230/50	1/230/50	1/230/50
Power supply (position)			Outdoor unit		
Indoor unit			JS025-A1	JS035-A1	JS050-A1
Package dimensions	width/depth/height	mm	870/196/301	870/196/301	1009/223/327
Dimensions with packaging	width/depth/height	mm	952/283/389	952/283/389	1100/314/420
Net/gross weight		kg	9.5/12	9.5/12	12/15
Airflow (cooling/heating)	Max	m <sup>3</sup> /h	600	650	900
Sound power level		dB(A)	53	55	57
Sound pressure level		dB(A)	38/32/25/19	39/33/26/20	45/41/37/28
Moisture removal capacity		10 <sup>-3</sup> m <sup>3</sup> /h	1.2	1.6	2.0
Outdoor unit			JZ025-A1	JZ035-A1	JZ050-A1
Compressor			PANASONIC	HIGHLY	MITSUBISHI
Net dimensions	width/depth/height	mm	800/275/553	800/275/553	820/338/614
Packaging dimensions	width/depth/height	mm	954/409/625	954/409/625	993/413/685
Net/gross weight		kg	29/31.5	31.5/34	37.8/41.5
Airflow (cooling/heating)	Max	m <sup>3</sup> /h	1900	2000	2500
Sound power level		dB(A)	59	61	63
Sound pressure level		dB(A)	47	48	51
Operating current	Max	A	7.2	7.2	10.9
Refrigerant filling	Refrigerant type		R32	R32	R32
	Refrigerant filling	g	650	940	950
Refrigerant piping	Liquid pipe diameter	mm	6.35	6.35	6.35
	Gas pipe diameter	mm	9.52	9.52	12.7
	Max pipeline length/Max level difference	m	20/10	20/10	25/15
	Max pipeline length without additional filling	m	7	7	7
	Extra refrigerant per metre of pipeline	g/m	20	20	20

# SPLIT

## Cassette air conditioners with 4-way airflow

Heiko cassette air conditioners are a great solution for installation at homes, offices or restaurants. The product range includes appliances with different capacity to suit the size of building area. Cassette air conditioners are available with 4-way airflow (option). Heiko appliances are discrete, installer-friendly and perfectly match any interior design.

### TEMPERATURE SETPOINT from 16 to 30°C



#### High energy efficiency

Innovative solutions enabled a significant reduction of energy consumption in both cooling and heating mode. The appliances have A++/A energy rating.



#### SMART airflow

An innovative solution for airflow control. The stream is directed upwards during the cooling and downwards during the heating, which enables an even distribution of air, thus preventing direct airflow on the user.



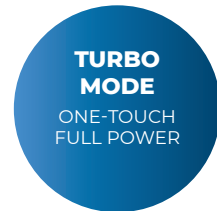
#### Airflow speed control

The option to control airflow shutters vertically enables precise direction of the airflow. The function is available from the controller.



#### Quiet operation

The components comprising the air conditioner and the optimum airflow system ensure quiet operation for comfort during work and leisure.



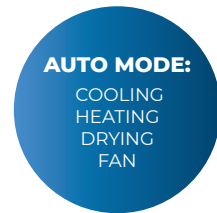
#### TURBO MODE

ONE-TOUCH  
FULL POWER



#### SLEEP FUNCTION

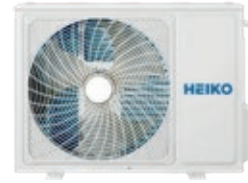
MAKE YOUR  
SLEEP  
COMFORTABLE



#### AUTO MODE:

COOLING  
HEATING  
DRYING  
FAN





**PB-700HE4**  
Cover  
(option)

(optional)

**YR-C01**  
wired controller  
(optional)

**Outdoor unit**

Indoor unit		CA035-A1		CA050-A1	
Outdoor unit		JZ035-A1		JZ050-A1	
Rated value	Capacity	- Cooling	Btu/h (rated)	12000	17000
			kW rated (min - max)	3.50 (0.9 ~ 4.5)	5.0 (1.8 ~ 5.8)
		- Heating	Btu/h (rated)	12600	18800
			kW rated (min. - max)	4.0 (1 ~ 4.8)	5.5 (2 ~ 6.5)
	Power input	- Cooling	kW rated (min. - max)	1.06 (0.28 ~ 1.8)	1.53 (0.55 ~ 2)
		- Heating	kW rated (min. - max)	0.99 (0.28 ~ 1.8)	1.52 (0.6 ~ 2)
		EER/COP		3.31/3.71	3.26/3.42
	Season value	SEER/SCOP		6.1/3.8	6.1/3.8
		Energy rating (cooling/heating)		A++/A	A++/A
		Annual energy consumption (cooling)	kWh	222	363
Annual energy consumption (heating)		kWh	1427	1932	
Indoor unit		CA035-A1		CA050-A1	
Electrical parameters	Power supply	f/V/Hz	1/220-240/50/60	1/220-240/50/60	
Performance	Airflow	m³/h	620/520/450	700/620/500	
	Sound power level	dB(A)	52	55	
	Sound pressure level	dB(A)	36/33/30	42/37/35	
	Installation	Dimensions without packaging (W/D/H)	mm	570/570/260	570/570/260
Dimensions with packaging (W/D/H)		mm	718/680/380	718/680/380	
Net/gross weight		kg	18.5/22	19/22	
Controller		wireless option		YR-HRC01	YR-HRC01
	wired option		YR-C01	YR-C01	
Cover	Model	option	PB-700HE4	PB-700HE4	
	Dimensions (W/D/H)	mm	700/700/60	700/700/60	
	Dimensions with packaging (W/D/H)	mm	740/750/115	740/750/115	
	Net/gross weight	kg	2.8/4.8	2.8/4.8	
Outdoor unit		JZ035-A1		JZ050-A1	
Electrical parameters	Power supply	f/V/Hz	1/230/50	1/230/50	
Performance	Airflow (h)	m³/h	2000	2500	
	Sound power level	dB(A)	61	63	
	Sound pressure level	dB(A)	48	51	
Installation	Dimensions without packaging (W/D/H)	mm	800/275/553	820/338/614	
	Dimensions with packaging (W/D/H)	mm	954/409/625	993/413/685	
	Net/gross weight	kg	31.5/34	37.8/41.5	
	Compressor type		Rotary	Twin rotary	
	Refrigerant		R32	R32	
	GWP		675	675	
	Liquid pipe diameter	mm	6.35	6.35	
	Gas pipe diameter	mm	9.52	12.7	
	Total pipeline length (max)	m	15	25	
	Max level difference	m	10	15	
Refrigerant filling	kg	0.94	0.95		
Total pipeline length without refill	m	7	7		
Extra refrigerant per metre of pipeline	g/m	20	20		
Working conditions (out)	Cooling (min - max)	°C	-10 ~ 43	-10 ~ 43	
	Heating (min. - max)	°C	-15 ~ 24	-15 ~ 24	

# SPLIT

## Cassette air conditioners with peripheral airflow

Heiko cassette air conditioners are a great solution for installation at homes, offices or restaurants. The product range includes appliances with different capacity to suit the size of building area. Cassette air conditioners are available with a panel for peripheral airflow. Heiko appliances are discrete, installer-friendly and perfectly match any interior design.

### TEMPERATURE SETPOINT from 16 to 30°C



#### Peripheral airflow

With the 360-degree cover, the air is supplied from four sides and corners to ensure efficient airflow in the room.



#### High energy efficiency

Innovative solutions enabled a significant reduction of energy consumption in both cooling and heating mode. The appliances have A++/A energy rating.



#### SMART airflow

An innovative solution for airflow control. The stream is directed upwards during the cooling and downwards during the heating, which enables an even distribution of air, thus preventing direct airflow on the user.



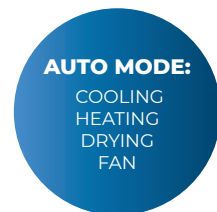
#### Airflow speed control

The option to control airflow shutters vertically enables precise direction of the airflow. The function is available from the controller.



#### Quiet operation

The components comprising the air conditioner and the optimum airflow system ensure quiet operation for comfort during work and leisure.







**PB-950HE4  
Cover**  
(option)

**Wireless  
controller**  
**YR-HRC01** (optional)

**YR-C01  
wired controller**  
(optional)

Indoor unit		CA070-A1		CA100-A1	
Outdoor unit		JZ070-A1		JZ100-A1	
Rated value	Capacity	- Cooling	Btu/h (rated)	22200	31400
			kW rated (min ~ max)	7.1 (2 ~ 7.3)	9.2 (2.5 ~ 10.0)
		- Heating	Btu/h (rated)	24300	34800
			kW rated (min. - max)	8.0 (2.5 ~ 8)	10.2 (3.0 ~ 10.5)
	Power input	- Cooling	kW rated (min. - max)	2.20 (0.5 ~ 2.6)	3.12 (0.5 ~ 4.0)
		- Heating	kW rated (min. - max)	1.91 (0.5 ~ 2.6)	2.91 (0.5 ~ 4.0)
		EER/COP		3.23/3.72	3/3.5
	Season value	SEER/SCOP		6.1/3.8	5.9/3.8
		Energy rating (cooling/heating)		A+/A	A+/A
		Annual energy consumption (cooling)	kWh	406	555
Annual energy consumption (heating)		kWh	1831	2780	
Indoor unit		CA070-A1		CA100-A1	
Electrical parameters	Power supply	f/V/Hz	1/220-240/50/60	1/220-240/50/60	
Performance	Airflow	m <sup>3</sup> /h	1260/1070/820/680	1680/1530/1320/1190	
	Sound power level	dB(A)	55	62	
	Sound pressure level	dB(A)	42/40/38/35	45/42/38/34	
Installation	Dimensions without packaging (W/D/H)	mm	840/840/204	840/840/246	
	Dimensions with packaging (W/D/H)	mm	990/990/310	990/990/310	
	Net/gross weight	kg	27/32	31/36	
	Controller	wireless option	YR-HRC01	YR-HRC01	
	wired option	YR-C01	YR-C01		
Cover	Model	option	PB-950HE4	PB-950HE4	
	Dimensions (W/D/H)	mm	950/950/50	950/950/50	
	Dimensions with packaging (W/D/H)	mm	1000/1000/110	1000/1000/110	
	Net/gross weight	kg	6.5/9	6.5/9	
Outdoor unit		JZ070-A1		JZ100-A1	
Electrical parameters	Power supply	f/V/Hz	1/220-240/50/60	1/220-240/50/60	
Performance	Airflow (h)	m <sup>3</sup> /h	3000	3500	
	Sound power level	dB(A)	67	66	
	Sound pressure level	dB(A)	54	53	
Installation	Dimensions without packaging (W/D/H)	mm	890/353/697	920/372/760	
	Dimensions with packaging (W/D/H)	mm	1046/460/780	1036/478/820	
	Net/gross weight	kg	48/53	60/65	
	Compressor type		Twin rotary	Twin rotary	
	Refrigerant		R32	R32	
	GWP		675	675	
	Liquid pipe diameter	mm	9.52	9.52	
	Gas pipe diameter	mm	15.88	15.88	
	Total pipeline length (max)	m	50	50	
	Max level difference	m	30	30	
Refrigerant filling	kg	1.3	1.5		
Total pipeline length without refill	m	10	30		
Extra refrigerant per metre of pipeline	g/m	45	45		
Working conditions (out)	Cooling (min - max)	°C	-10 ~ 46	-10 ~ 46	
	Heating (min. - max)	°C	-15 ~ 24	-15 ~ 24	

# Mobile air conditioners

Compact appliances in sophisticated style, with 4 operating modes: cooling, heating, drying and air supply. The air conditioners are equipped with wheels and carrying handles for easy handling. The appliances are controlled with a advanced panel or a wireless controller.

Wireless controller included.



## Full control

Filter cleaning notification (icon on the display) after 250 operating hours.



## 4 operating modes

Comprehensive application of the appliance for cooling, air supply, drying or heating.



## Swing function

Shutter swinging for air distribution as needed.



## Timer

The air conditioner has the function to set the operation time. The operation of the appliance will start or end at the programmed time.





Wireless controller  
(included)



Indoor unit		AM12HEIA4	
Power supply		f/V/Hz	1/220~240V/50 Hz
Cooling	Rated capacity	W	3400
	EER	W/W	2.6
	Rated power consumption	W	1300
	Rated current	A	5.80
Heating	Rated capacity	W	2 700
	COP	W/W	2.7
	Rated power consumption	W	1000
	Rated current	A	4.60
Maximum power input		W	1450
Maximum current		A	8.00
Starting current		A	/
Plug type		A	16
Compressor	Model		DSM215V2UDZ
	Type		Rotary
	Brand		GMCC
	Capacity	Btu/H	10918
	Input	W	985
Internal fan motor	Model		YDK15-6
	Brand		WELLING
	Input	W	52.5
	Capacitor	μF	1.5
	Speed (high/mid/low)	rpm	630/570/490
Internal airflow	(high/mid/low)	m <sup>3</sup> /h	390/360/330
Sound power level	(high/mid/low)	dB(A)	64/63.5/63
External fan motor	Model		YDK45-4
	Brand		WELLING
	Input	W	119
	Capacitor	μF	3.5
	Speed	rpm	1130
External airflow		m <sup>3</sup> /h	550
Unit dimensions	(WxHxD)	mm	476 x 710 x 385
Packaging dimensions	(WxHxD)	mm	545 x 885 x 435
Net/gross weight		kg	33.5/38.5
Refrigerant			R290

# MULTI SPLIT Air Conditioning Systems





















This systems enables connection of two up to five indoor units to one outdoor unit. The Heiko Multi Split solution allows the user to control individual air conditioners that form the system and, as a result, set different temperatures on each device.

The system supports heating or cooling at least two different rooms simultaneously. The Heiko Multi Split systems consists of a high-performance outdoor unit and 2 to 5 indoor units in different combinations.

# MULTI SPLIT

## Models available

### Outdoor units

Indoor units	Refrigerant		Controller
<b>C1 wall-mounted units</b>			YR-HAC01 wireless controller (included)
<b>D1 wall-mounted units</b>			YR-HAC01 wireless controller (included)
<b>D2 wall-mounted units</b>			YR-HAC01 wireless controller (included)
<b>BRISA wall-mounted units</b>			YR-HAC01 wireless controller (included)
<b>ARIA wall-mounted units</b>			YR-HAC01 wireless controller (included)
<b>CASSETTE units with 4-way airflow</b>		 	YR-HRC01 wireless controller (optional) YR-C01 wired controller (optional)
<b>CASSETTE units with peripheral airflow</b>		 	YR-HRC01 wireless controller (optional) YR-C01 wired controller (optional)

5.0 kW



M2T050-D1

(option to connect up to 2 indoor units)

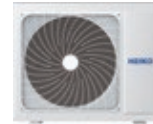
7.0 kW



M3T070-D1

(option to connect up to 3 indoor units)

10.0 kW



M5T100-D1

(option to connect up to 5 indoor units)

2.5 kW



JS026-D1



JS026-D2

3.5 kW



JS035-D1



JS035-D2

5.0 kW



JS050-C1



JS050-C2



JS025-A1



JS035-A1



JS050-A1



CA035-A1



CA050-A1



CA070-A1

# MULTI SPLIT

## Outdoor units



### R32 refrigerant

The R32 refrigerant used in air conditioners makes them far more efficient than the appliances operating on the commonly used R410A refrigerant.



### Inverter technology

The inverter technology enables economical operation of the system without sudden spikes in compressor frequency, while ensuring energy-efficient and quiet operation of the appliance.



### Automatic defrosting

Efficient operation of the MULTI SPLIT system in the heating mode, under difficult weather conditions, is possible with automatic defrosting of the heat exchanger of the outdoor unit.



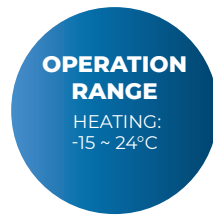
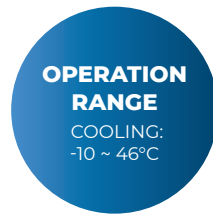
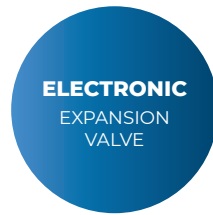
### DC motor

The high-efficiency DC motor with a compact design ensures energy-efficient operation of the fan of the outdoor unit. The DC motor, compared to conventional AC motors, ensures lower operation noise of the outdoor unit.



### Hydrophilic aluminium film

The special coating of heat exchangers prevents corrosion and extends the service life of the appliance.







Outdoor unit			M2T050-D1	M3T070-D1	M5T100-D1
Electrical parameters	Power supply	f/V/Hz	1/230/50	1/220-240/50/60	1/220-240/50/60
Performance	Airflow	m <sup>3</sup> /h	2400	3000	4200
	Sound power level	dB(A)	63	66	71
	Sound pressure level	dB(A)	53	53	55
Installation	Dimensions without packaging (W/D/H)	mm	800/275/553	890/340/700	920/372/760
	Dimensions with packaging (W/D/H)	mm	954/409/625	998/443/770	1036/478/820
	Net/gross weight	kg	36/39	54/58	66/71
	Compressor type		Twin rotary	Twin rotary	Twin rotary
	Refrigerant		R32	R32	R32
	GWP		675	675	675
	Liquid pipe diameter	mm	2x6.35	3x6.35	5x6.35
	Gas pipe diameter	mm	2x9.52	3x9.52	3 x 9.52 + 2 x 12.7
	Total pipeline length (max)	m	30	60	80
	Max level difference	m	15	25	25
Working conditions (out)	Refrigerant filling	kg	1.4	1.6	2.4
	Total pipeline length without filling	m	20	30	40
	Extra refrigerant per metre of pipeline	g/m	20	20	20
	Cooling (min ~ max)	°C	-10 ~ 46	-10 ~ 46	-10 ~ 46
	Heating (min ~ max)	°C	-15 ~ 24	-15 ~ 24	-15 ~ 24

Outdoor unit			M2T050-D1	M3T070-D1	M5T100-D1
Max number of indoor units per outdoor unit			2	3	5
Indoor units			2*JS035-D2	3*JS026-D2	2*JS026-D2+JS035-D2+JS050-C1
Rated value	Cooling capacity	kW (rated (min. - max))	5 (1.1 ~ 5.7)	6.2	9.5
	Heating capacity	kW (rated (min. - max))	5.2 (1.6 ~ 6.1)	6.8	10.0
	Cooling power input	kW (rated (min. - max))	1.45 (0.35 ~ 2.55)	1.85	3.4
	Heating power input	kW (rated (min. - max))	1.4 (0.55 ~ 2.8)	2.05	2.8
EER/COP			3.45/3.71	3.3/3.3	2.7/3.2
Season value	SEER/SCOP		6.50/4.00	6.2/3.8	6.2/3.8
	Energy rating (cooling/heating)		A++/A+	A++/A	A++/A
	Annual energy consumption (cooling)	kWh	269	332	537
	Annual energy consumption (heating)	kWh	1645	2012	2889

# MULTI SPLIT C1 wall-mounted air conditioners

TEMPERATURE SETPOINT from 16 to 30°C



#### High energy efficiency

Innovative solutions enabled a significant reduction of energy consumption in both cooling and heating mode. The appliances have A++/A+ energy rating.



#### Quick and easy installation

The design of the air conditioners and new technological solutions enable trouble-free and efficient installation. Easier access, increased installation space and right- and left-sided connection options reduce the installation time to as little as 40 min.



#### R32 refrigerant

The R32 refrigerant used in air conditioners makes them far more efficient than the appliances operating on the commonly used R410A refrigerant.



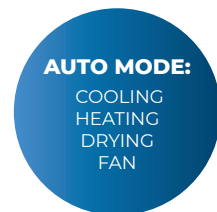
#### SMART airflow

An innovative solution for airflow control. The stream is directed upwards during the cooling and downwards during the heating, which enables an even distribution of air, thus preventing direct airflow on the user.



#### Quiet operation

The components comprising the air conditioner and the optimum airflow system ensure quiet operation for comfort during work and leisure.



26

HEIKO

26 °C



Wireless controller  
YR-HAC01 (included)



Indoor unit		JS050-C1	
Rated capacity	Cooling	kW	5.0
	Heating	kW	5.2
Electrical parameters	Power supply	f/V/Hz	1/230/50
Performance	Airflow	m <sup>3</sup> /h	900
	Sound power level	dB(A)	57
	Sound pressure level	dB(A)	44/40/35/28
Installation	Dimensions without packaging (W/D/H)	mm	1008/225/318
	Dimensions with packaging (W/D/H)	mm	1085/329/403
	Net/gross weight	kg	11.6/14.4
	Liquid pipe diameter	mm	6.35
	Gas pipe diameter	mm	12.7
	Controller	Standard	YR-HAC01

# MULTI SPLIT D1 wall-mounted air conditioners

TEMPERATURE SETPOINT from 16 to 30°C



#### High energy efficiency

Innovative solutions enabled a significant reduction of energy consumption in both cooling and heating mode. The appliances have A++/A+ energy rating.



#### Quick and easy installation

The design of the air conditioners and new technological solutions enable trouble-free and efficient installation. Easier access, increased installation space and right- and left-sided connection options reduce the installation time to as little as 40 min.



#### R32 refrigerant

The R32 refrigerant used in air conditioners makes them far more efficient than the appliances operating on the commonly used R410A refrigerant.



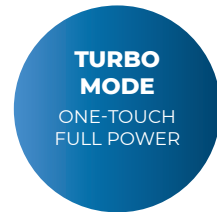
#### SMART airflow

An innovative solution for airflow control. The stream is directed upwards during the cooling and downwards during the heating, which enables an even distribution of air, thus preventing direct airflow on the user.



#### Quiet operation

The components comprising the air conditioner and the optimum airflow system ensure quiet operation for comfort during work and leisure.





Wireless controller  
YR-HAC01 (included)



Indoor unit			JS026-D1	JS035-D1
Rated capacity	Cooling	kW	2.6	3.6
	Heating	kW	2.9	3.7
Electrical parameters	Power supply	f/V/Hz	1/230/50	1/230/50
Performance	Airflow	m <sup>3</sup> /h	500	550
	Sound power level	dB(A)	53	55
	Sound pressure level	dB(A)	37/32/28/20	38/33/29/21
Installation	Dimensions without packaging (W/D/H)	mm	820/195/280	820/195/280
	Dimensions with packaging (W/D/H)	mm	909/279/355	909/279/355
	Net/gross weight	kg	8.4/10.5	8.4/10.5
	Liquid pipe diameter	mm	6.35	6.35
	Gas pipe diameter	mm	9.52	9.52
	Controller	Standard	YR-HAC01	YR-HAC01

# MULTI SPLIT

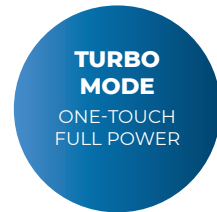
## D2 wall-mounted air conditioners

### TEMPERATURE SETPOINT from 16 to 30°C



#### Wi-Fi control

The Wi-Fi control in standard enables controlling the air conditioner with your smartphone connected to the Internet from any place. The comfortable and intuitive Wi-Fi INTELLIGENT AIR app enables access to all basic settings of the air conditioner.



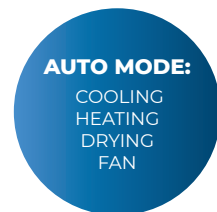
#### High energy efficiency

Innovative solutions enabled a significant reduction of energy consumption in both cooling and heating mode. The appliances have A++/A+ energy rating.



#### R32 refrigerant

The R32 refrigerant used in air conditioners makes them far more efficient than the appliances operating on the commonly used R410A refrigerant.



#### SMART airflow

An innovative solution for airflow control. The stream is directed upwards during the cooling and downwards during the heating, which enables an even distribution of air, thus preventing direct airflow on the user.



#### Quiet operation

The components comprising the air conditioner and the optimum airflow system ensure quiet operation for comfort during work and leisure.





Wireless controller  
YR-HAC01 (included)



Indoor unit			JS026-D2	JS035-D2
Rated capacity	Cooling	kW	2.6	3.6
	Heating	kW	2.9	3.7
Electrical parameters	Power supply	f/V/Hz	1/230/50	1/230/50
Performance	Airflow	m <sup>3</sup> /h	500	550
	Sound power level	dB(A)	53	55
	Sound pressure level	dB(A)	37/32/28/20	38/33/29/21
Installation	Dimensions without packaging (W/D/H)	mm	820/195/280	820/195/280
	Dimensions with packaging (W/D/H)	mm	909/279/355	909/279/355
	Net/gross weight	kg	8.4/10.5	8.4/10.5
	Liquid pipe diameter	mm	6.35	6.35
	Gas pipe diameter	mm	9.52	9.52
	Controller	Standard	YR-HAC01	YR-HAC01

# MULTI SPLIT

## BRISA wall-mounted air conditioners

### TEMPERATURE SETPOINT from 16 to 30°C



#### Wi-Fi control

The Wi-Fi control in standard enables controlling the air conditioner with your smartphone connected to the Internet from any place. The comfortable and intuitive Wi-Fi INTELLIGENT AIR app enables access to all basic settings of the air conditioner.



#### High energy efficiency

Innovative solutions enabled a significant reduction of energy consumption in both cooling and heating mode. The appliances have A++/A+ energy rating.



#### SMART airflow

An innovative solution for airflow control. The stream is directed upwards during the cooling and downwards during the heating, which enables an even distribution of air, thus preventing direct airflow on the user.



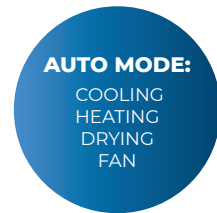
#### Airflow speed control

The option to control airflow shutters vertically and horizontally enables precise direction of the airflow. The up-down control function is available from the wireless controller and the Wi-Fi Intelligent Air app. The left-right control is done manually.



#### Quiet operation

The components comprising the air conditioner and the optimum airflow system ensure quiet operation for comfort during work and leisure.







Wireless controller  
YR-HAC01 (included)



Indoor unit		JS050-C2	
Rated capacity	Cooling	kW	5.0
	Heating	kW	5.2
Electrical parameters	Power supply	f/V/Hz	1/220-240/50
Performance	Airflow	m <sup>3</sup> /h	900
	Sound power level	dB(A)	57
	Sound pressure level	dB(A)	44/40/35/28
Installation	Dimensions without packaging (W/D/H)	mm	1008/225/318
	Dimensions with packaging (W/D/H)	mm	1085/329/403
	Net/gross weight	kg	11.6/14.4
	Liquid pipe diameter	mm	6.35
	Gas pipe diameter	mm	12.7
	Controller	Standard	YR-HAC01

# MULTI SPLIT

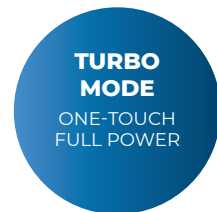
## ARIA wall-mounted air conditioners

### TEMPERATURE SETPOINT from 16 to 30°C



#### Ioniser

The ioniser improves air quality in the room. Electrical equipment generates positive ions, also referred to as electrosmog, that attract dust and viruses. Negative ions are generated by the ioniser neutralise the charge of positive ions by causing the contaminants to fall on the floor, while reducing the risk of allergy and various infections. The ioniser also helps neutralising the odours in the room.



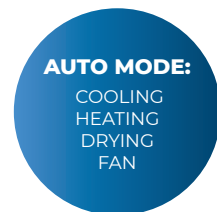
#### Wi-Fi control

The Wi-Fi control in standard enables controlling the air conditioner with your smartphone connected to the Internet from any place. The comfortable and intuitive Wi-Fi INTELLIGENT AIR app enables access to all basic settings of the air conditioner.



#### High energy efficiency

Innovative solutions enabled a significant reduction of energy consumption in both cooling and heating mode. The appliances have A+++/A++ energy rating.



#### SMART airflow

An innovative solution for airflow control. The stream is directed upwards during the cooling and downwards during the heating, which enables an even distribution of air, thus preventing direct airflow on the user.



#### Airflow speed control

The option to control airflow shutters vertically and horizontally enables precise direction of the airflow. The up-down and left-right control functions are available from the wireless controller and the Wi-Fi Intelligent Air app.





Wireless controller  
YR-HAC01 (included)



Indoor unit			JS025-A1	JS035-A1	JS050-A1
Rated capacity	Cooling	kW	2.6	3.5	5.2
	Heating	kW	3.2	4.2	6.0
Electrical parameters	Power supply	f/V/Hz	1/230/50	1/230/50	1/230/50
Performance	Airflow	m <sup>3</sup> /h	600	650	900
	Sound power level	dB(A)	53	55	57
	Sound pressure level	dB(A)	38/32/25/19	39/33/26/20	45/41/37/28
Installation	Dimensions without packaging (W/D/H)	mm	870/196/301	870/196/301	1009/223/327
	Dimensions with packaging (W/D/H)	mm	952/283/389	952/283/389	1100/314/420
	Net/gross weight	kg	9.5/12	9.5/12	12/15
	Liquid pipe diameter	mm	6.35	6.35	6.35
	Gas pipe diameter	mm	9.52	9.52	12.7
	Controller	Standard	YR-HAC01	YR-HAC01	YR-HAC01

# MULTI SPLIT

## Cassette air conditioners

with 4-way airflow

TEMPERATURE SETPOINT from 16 to 30°C



### High energy efficiency

Innovative solutions enabled a significant reduction of energy consumption in both cooling and heating mode. The appliances have A++/A energy rating.



### SMART airflow

An innovative solution for airflow control. The stream is directed upwards during the cooling and downwards during the heating, which enables an even distribution of air, thus preventing direct airflow on the user.



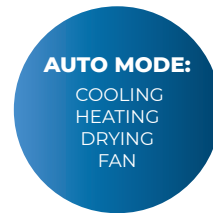
### Airflow speed control

The option to control airflow shutters vertically enables precise direction of the airflow. The function is available from the controller.



### Quiet operation

The components comprising the air conditioner and the optimum airflow system ensure quiet operation for comfort during work and leisure.





(option)



Wireless controller  
YR-HRC01 (optional)



YR-C01  
wired controller  
(optional)



Indoor unit			CA035-A1	CA050-A1
Rated capacity	Cooling	kW	3.5	5
	Heating	kW	4.0	5.5
Electrical parameters	Power supply	f/V/Hz	1/220-240/50/60	1/220-240/50/60
Performance	Airflow	m <sup>3</sup> /h	620/520/420/350	700/600/500/400
	Sound power level	dB(A)	52	57
	Sound pressure level	dB(A)	35/32/30/28	42/37/35/31
Installation	Dimensions without packaging (W/D/H)	mm	570/570/260	570/570/260
	Dimensions with packaging (W/D/H)	mm	718/680/380	718/680/380
	Net/gross weight	kg	18.5/22	18.5/22
	Liquid pipe diameter	mm	6.35	6.35
	Gas pipe diameter	mm	9.52	12.7
Controller	Wireless option		YR-HRC01	YR-HRC01
	Wired option		YR-C01	YR-C01
Cover	Type	Option	PB-700HE4	PB-700HE4
	Dimensions without packaging (W/D/H)	mm	700/700/60	700/700/60
	Dimensions with packaging (W/D/H)	mm	740/750/115	740/750/115
	Net/gross weight	kg	2.8/4.8	2.8/4.8

# MULTI SPLIT

## Cassette air conditioners with peripheral airflow

### TEMPERATURE SETPOINT from 16 to 30°C



#### Peripheral airflow

With the 360-degree cover, the air is supplied from four sides and corners to ensure efficient airflow in the room.



#### High energy efficiency

Innovative solutions enabled a significant reduction of energy consumption in both cooling and heating mode. The appliances have A++/A energy rating.



#### SMART airflow

An innovative solution for airflow control. The stream is directed upwards during the cooling and downwards during the heating, which enables an even distribution of air, thus preventing direct airflow on the user.



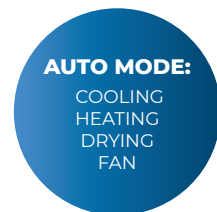
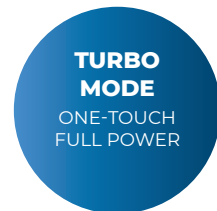
#### Airflow speed control

The option to control airflow shutters vertically enables precise direction of the airflow. The function is available from the controller.



#### Quiet operation

The components comprising the air conditioner and the optimum airflow system ensure quiet operation for comfort during work and leisure.





**PB-950HE4  
Cover**  
(option)



**Wireless  
controller**  
**YR-HRC01** (optional)



(optional)



Indoor unit		CA070-A1	
Rated capacity	Cooling	kW	7.1
	Heating	kW	8
Electrical parameters	Power supply	f/V/Hz	1/220-240/50/60
Performance	Airflow	m <sup>3</sup> /h	1260/1070/820/680
	Sound power level	dB(A)	55
	Sound pressure level	dB(A)	36/33/29/26
Installation	Dimensions without packaging (W/D/H)	mm	840/840/204
	Dimensions with packaging (W/D/H)	mm	990/990/310
	Net/gross weight	kg	27/31
	Liquid pipe diameter	mm	9.52
	Gas pipe diameter	mm	15.88
	Controller	Wireless option	YR-HRC01
	Wired option	YR-C01	
Cover	Type	Option	PB-950HE4
	Dimensions without packaging (W/D/H)	mm	950/950/50
	Dimensions with packaging (W/D/H)	mm	1000/1000/110
	Net/gross weight	kg	6.5/9

# MULTI SPLIT Combinations

## M2T050-D1

COOLING									
Comb.	Combinations			Rated capacity (kW)			Total cooling capacity (kW)		
	Unit A	Unit B	Unit C	Unit A	Unit B	Unit C	Min data	Rated data	Max data
1:2	2.5	2.5	---	2.50	2.50	---	1.10	5.00	5.60
	2.5	3.5	---	2.20	2.80	---	1.10	5.00	5.60

HEATING									
Comb.	Combinations			Rated capacity (kW)			Total heating capacity (kW)		
	Unit A	Unit B	Unit C	Unit A	Unit B	Unit C	Min data	Rated data	Max data
1:2	2.5	2.5	---	2.60	2.60	---	1.40	5.20	6.00
	2.5	3.5	---	2.50	2.70	---	1.50	5.20	6.10

## M3T070-D1

COOLING									
Comb.	Combinations			Rated capacity (kW)			Total cooling capacity (kW)		
	Unit A	Unit B	Unit C	Unit A	Unit B	Unit C	Min data	Rated data	Max data
1:1	2.5	—	—	2.60	—	—	0.80	2.60	3.90
	3.5	—	—	3.60	—	—	1.00	3.60	5.30
	5.0	—	—	5.20	—	—	1.40	5.20	7.00
	7.0	—	—	6.50	—	—	1.50	6.50	7.40
1:2	2.5	2.5	—	2.60	2.60	—	2.00	5.20	7.40
	2.5	3.5	—	2.60	3.60	—	2.00	6.20	7.60
	2.5	5.0	—	2.33	4.67	—	2.40	7.00	7.60
	3.5	3.5	—	3.40	3.40	—	2.40	6.80	7.60
	3.5	5.0	—	2.86	4.14	—	2.40	7.00	7.60
1:3	2.5	2.5	2.5	2.33	2.33	2.33	2.40	7.00	7.60
	2.5	2.5	3.5	2.07	2.07	2.86	2.40	7.00	7.60
	2.5	3.5	3.5	1.86	2.57	2.57	2.40	7.00	7.60

HEATING									
Comb.	Combinations			Rated capacity (kW)			Total heating capacity (kW)		
	Unit A	Unit B	Unit C	Unit A	Unit B	Unit C	Min data	Rated data	Max data
1:1	2.5	—	—	3.60	—	—	0.80	3.60	6.00
	3.5	—	—	4.50	—	—	1.00	4.50	6.00
	5.0	—	—	6.00	—	—	1.50	6.00	8.00
	7.0	—	—	7.00	—	—	1.50	7.00	8.60
1:2	2.5	2.5	—	3.60	3.60	—	2.90	7.20	8.50
	2.5	3.5	—	3.38	4.22	—	2.90	7.60	8.50
	2.5	5.0	—	2.85	4.75	—	2.90	7.60	8.50
	3.5	3.5	—	3.75	3.75	—	2.90	7.50	8.50
	3.5	5.0	—	3.26	4.34	—	2.90	7.60	8.50
1:3	2.5	2.5	2.5	2.53	2.53	2.53	2.90	7.60	8.50
	2.5	2.5	3.5	2.34	2.34	2.92	2.90	7.60	8.50
	2.5	3.5	3.5	2.17	2.71	2.71	2.90	7.60	8.50



# Technical specifications

Power input (kW)			Total current (A) at 230 V			EER	Class label	SEER (W/W)	Class label
Min data	Rated data	Max data	Min data	Rated data	Max data			Rated cap.	
0.35	1.43	2.51	1.6	6.3	11.3	3.50	A	6.50	A++
0.35	1.39	2.52	1.6	6.2	11.3	3.60	A	6.50	A++

Power input (kW)			Total current (A) at 230 V			COP	Class label	SCOP (W/W)	Class label
Min data	Rated data	Max data	Min data	Rated data	Max data			Rated cap.	
0.52	1.40	2.76	2.3	6.9	12.4	3.71	A	4.00	A+
0.53	1.40	2.77	2.4	6.9	12.4	3.71	A	4.00	A+

Power input (kW)			Total current (A) at 230 V			EER (W/W)	Class label	SEER (W/W)	Class label
Min data	Rated data	Max data	Min data	Rated data	Max data	Rated cap.		Rated cap.	
0.55	0.79	1.34	2.44	3.50	5.9	—	—	—	—
0.55	1.09	1.65	2.44	4.84	7.3	—	—	—	—
0.55	1.55	2.00	2.44	6.88	8.9	—	—	—	—
0.55	1.92	2.60	2.44	8.52	11.5	—	—	—	—
0.55	1.52	2.68	2.44	6.74	11.9	3.42	A	6.70	A++
0.55	1.79	2.99	2.44	7.94	13.3	3.46	A	6.70	A++
0.55	2.00	3.00	2.44	8.87	13.3	3.50	A	6.70	A++
0.55	2.00	3.20	2.44	8.87	14.2	3.40	A	6.20	A++
0.55	1.82	3.20	2.44	8.07	14.2	3.85	A	6.80	A++
0.55	1.76	2.70	2.44	7.81	12.0	3.98	A	7.50	A++
0.55	1.78	2.70	2.44	7.90	12.0	3.93	A	7.50	A++
0.55	1.78	2.70	2.44	7.90	12.0	3.93	A	7.50	A++

Power input (kW)			Total current (A) at 230 V			COP (W/W)	Class label	SCOP (W/W)	Class label
Min data	Rated data	Max data	Min data	Rated data	Max data	Rated cap.		Rated cap.	
0.55	0.98	1.50	2.44	4.35	6.65	—	—	—	—
0.55	1.22	1.65	2.44	5.41	7.32	—	—	—	—
0.55	1.60	2.00	2.44	7.10	8.87	—	—	—	—
0.55	1.84	2.20	2.44	8.16	9.76	—	—	—	—
0.55	1.93	2.10	2.44	8.56	9.32	3.73	A	3.90	A
0.55	2.05	2.10	2.44	9.09	9.32	3.71	A	3.90	A
0.55	2.05	2.10	2.44	9.09	9.32	3.71	A	3.95	A
0.55	1.93	2.20	2.44	8.54	9.76	3.90	A	3.80	A
0.55	2.00	2.20	2.44	8.87	9.76	3.80	A	4.00	A+
0.55	1.81	2.30	2.44	8.03	10.20	4.20	A	4.20	A+
0.55	1.84	2.30	2.44	8.16	10.20	4.13	A	4.20	A+
0.55	1.84	2.30	2.44	8.16	10.20	4.13	A	4.20	A+

# MULTI SPLIT Combinations

## M5T100-D1

COOLING													
Comb.	Combinations					Rated capacity (kW)					Total cooling capacity (kW)		
	Unit A	Unit B	Unit C	Unit D	Unit E	Unit A	Unit B	Unit C	Unit D	Unit E	Min data	Rated data	Max data
1:1	2.5	—	—	—	—	2.60	—	—	—	—	0.80	2.60	3.90
	3.5	—	—	—	—	3.60	—	—	—	—	1.00	3.60	5.30
	5.0	—	—	—	—	5.20	—	—	—	—	1.40	5.20	7.00
	7.0	—	—	—	—	6.50	—	—	—	—	1.50	6.50	7.40
1:2	2.5	2.5	—	—	—	2.60	2.60	—	—	—	2.50	5.20	7.80
	2.5	3.5	—	—	—	2.60	3.60	—	—	—	2.50	6.20	9.10
	2.5	5.0	—	—	—	2.60	5.20	—	—	—	2.50	7.80	9.30
	2.5	7.0	—	—	—	2.60	6.50	—	—	—	2.50	9.10	9.30
	3.5	3.5	—	—	—	3.60	3.60	—	—	—	2.50	7.20	9.30
	3.5	5.0	—	—	—	3.60	5.20	—	—	—	2.50	8.80	10.00
	3.5	7.0	—	—	—	3.56	6.44	—	—	—	2.50	10.00	11.00
	5.0	5.0	—	—	—	5.00	5.00	—	—	—	2.50	10.00	11.00
1:3	5.0	7.0	—	—	—	4.44	5.56	—	—	—	2.50	9.00	11.00
	7.0	7.0	—	—	—	5.00	5.00	—	—	—	2.50	10.00	11.00
	2.5	2.5	2.5	—	—	2.60	2.60	2.60	—	—	3.20	7.80	9.50
	2.5	2.5	3.5	—	—	2.60	2.60	3.60	—	—	3.20	8.80	10.00
	2.5	2.5	5.0	—	—	2.50	2.50	5.00	—	—	3.20	10.00	11.00
	2.5	2.5	7.0	—	—	2.22	2.22	5.56	—	—	3.20	10.00	11.00
	2.5	3.5	3.5	—	—	2.60	3.60	3.60	—	—	3.20	9.80	11.00
	2.5	3.5	5.0	—	—	2.28	3.16	4.56	—	—	3.20	10.00	11.00
	2.5	3.5	7.0	—	—	2.05	2.83	5.12	—	—	3.20	10.00	11.00
	2.5	5.0	5.0	—	—	2.00	4.00	4.00	—	—	3.20	10.00	11.00
	3.5	3.5	3.5	—	—	3.33	3.33	3.33	—	—	3.20	10.00	11.00
	3.5	3.5	5.0	—	—	2.90	2.90	4.19	—	—	3.20	10.00	11.00
1:4	3.5	5.0	5.0	—	—	2.57	3.71	3.71	—	—	3.20	10.00	11.00
	2.5	2.5	2.5	2.5	—	2.50	2.50	2.50	2.50	—	3.20	10.00	11.00
	2.5	2.5	2.5	3.5	—	2.28	2.28	2.28	3.16	—	3.20	10.00	11.00
	2.5	2.5	2.5	5.0	—	2.00	2.00	2.00	4.00	—	3.20	10.00	11.00
	2.5	2.5	2.5	7.0	—	1.82	1.82	1.82	4.55	—	3.20	10.00	11.00
	2.5	2.5	3.5	3.5	—	2.10	2.10	2.90	2.90	—	3.20	10.00	11.00
	2.5	2.5	3.5	5.0	—	1.86	1.86	2.57	3.71	—	3.20	10.00	11.00
	2.5	3.5	3.5	3.5	—	1.94	2.69	2.69	2.69	—	3.20	10.00	11.00
1:5	2.5	3.5	3.5	5.0	—	1.73	2.40	2.40	3.47	—	3.20	10.00	11.00
	3.5	3.5	3.5	3.5	—	2.50	2.50	2.50	2.50	—	3.20	10.00	11.00
	2.5	2.5	2.5	2.5	2.5	2.00	2.00	2.00	2.00	2.00	3.20	10.00	11.00
	2.5	2.5	2.5	2.5	3.5	1.86	1.86	1.86	1.86	2.57	3.20	10.00	11.00
1:5	2.5	2.5	2.5	2.5	5.0	1.67	1.67	1.67	1.67	3.33	3.20	10.00	11.00
	2.5	2.5	2.5	3.5	3.5	1.73	1.73	1.73	2.40	2.40	3.20	10.00	11.00

Power input (kW)			Total current (A) at 230 V			EER (W/W)	Class label	SEER (W/W)	Class label
Min data	Rated data	Max data	Min data	Rated data	Max data	Rated cap.			
0.55	0.98	1.34	2.44	4.35	5.93	—	—	—	—
0.55	1.35	1.50	2.44	5.99	6.65	—	—	—	—
0.55	1.86	1.90	2.44	8.25	8.43	—	—	—	—
0.55	2.25	3.00	2.44	9.98	13.31	—	—	—	—
0.55	1.90	3.60	2.44	8.43	15.97	2.74	D	6.20	A++
0.55	2.24	3.60	2.44	9.94	15.97	2.77	D	6.20	A++
0.55	2.79	3.60	2.44	12.38	15.97	2.80	D	6.20	A++
0.55	3.17	3.60	2.44	14.06	15.97	2.87	C	6.20	A++
0.55	2.58	3.60	2.44	11.45	15.97	2.79	D	6.20	A++
0.55	3.10	3.60	2.44	13.75	15.97	2.84	C	6.20	A++
0.55	3.48	3.60	2.44	15.44	15.97	2.87	C	6.20	A++
0.55	3.50	3.60	2.44	15.53	15.97	2.86	C	6.20	A++
0.55	3.50	3.60	2.44	15.53	15.97	2.57	E	6.20	A++
0.55	3.45	3.60	2.44	15.31	15.97	2.90	C	6.20	A++
0.55	2.78	3.80	2.44	12.33	16.86	2.81	C	6.72	A++
0.55	3.14	3.80	2.44	13.93	16.86	2.80	C	6.72	A++
0.55	3.50	4.10	2.44	15.53	18.19	2.86	C	6.74	A++
0.55	3.50	4.10	2.44	15.53	18.19	2.86	C	6.70	A++
0.55	3.45	3.80	2.44	15.31	16.86	2.84	C	6.73	A++
0.55	3.50	4.10	2.44	15.53	18.19	2.86	C	6.70	A++
0.55	3.50	4.10	2.44	15.53	18.19	2.86	C	6.70	A++
0.55	3.50	4.10	2.44	15.53	18.19	2.86	C	6.75	A++
0.55	3.45	4.10	2.44	15.31	18.19	2.90	C	6.70	A++
0.55	3.45	4.10	2.44	15.31	18.19	2.90	C	6.75	A++
0.55	3.36	4.10	2.44	14.91	18.19	2.98	C	6.90	A++
0.55	3.36	4.10	2.44	14.91	18.19	2.98	C	6.90	A++
0.55	3.36	4.10	2.44	14.91	18.19	2.98	C	6.90	A++
0.55	3.36	4.10	2.44	14.91	18.19	2.98	C	6.90	A++
0.55	3.36	4.10	2.44	14.91	18.19	2.98	C	6.90	A++
0.55	3.33	4.10	2.44	14.77	18.19	3.00	B	7.00	A++
0.55	3.33	4.10	2.44	14.77	18.19	3.00	B	7.00	A++
0.55	3.33	4.10	2.44	14.77	18.19	3.00	B	7.00	A++
0.55	3.33	4.10	2.44	14.77	18.19	3.00	B	7.00	A++
0.55	3.33	4.10	2.44	14.77	18.19	3.00	B	7.00	A++
0.55	3.33	4.10	2.44	14.77	18.19	3.00	B	7.00	A++
0.55	3.33	4.10	2.44	14.77	18.19	3.00	B	7.00	A++
0.55	3.33	4.10	2.44	14.77	18.19	3.00	B	7.00	A++
0.55	3.33	4.10	2.44	14.77	18.19	3.00	B	7.00	A++
0.55	3.33	4.10	2.44	14.77	18.19	3.00	B	7.00	A++

# MULTI SPLIT Combinations

## M5T100-D1

HEATING													
Comb.	Combinations					Rated capacity (kW)					Total heating capacity (kW)		
	Unit A	Unit B	Unit C	Unit D	Unit E	Unit A	Unit B	Unit C	Unit D	Unit E	Min data	Rated data	Max data
1:1	2.5	—	—	—	—	3.60	—	—	—	—	0.80	3.60	6.00
	3.5	—	—	—	—	4.50	—	—	—	—	1.00	4.50	6.00
	5.0	—	—	—	—	6.00	—	—	—	—	1.50	6.00	8.00
	7.0	—	—	—	—	7.00	—	—	—	—	1.50	7.00	8.60
1:2	2.5	2.5	—	—	—	3.60	3.60	—	—	—	3.40	7.20	10.50
	2.5	3.5	—	—	—	3.60	4.50	—	—	—	3.80	8.10	10.50
	2.5	5.0	—	—	—	3.60	6.00	—	—	—	4.40	9.60	10.50
	2.5	7.0	—	—	—	3.57	6.93	—	—	—	4.40	10.50	11.00
	3.5	3.5	—	—	—	4.50	4.50	—	—	—	4.00	9.00	10.50
	3.5	5.0	—	—	—	4.50	6.00	—	—	—	4.40	10.50	11.50
	3.5	7.0	—	—	—	4.11	6.39	—	—	—	4.40	10.50	11.50
	5.0	5.0	—	—	—	5.25	5.25	—	—	—	4.40	10.50	11.50
5.0	7.0	—	—	—	4.85	5.65	—	—	—	4.40	9.50	11.50	
7.0	7.0	—	—	—	5.25	5.25	—	—	—	4.40	10.50	11.50	
1:3	2.5	2.5	2.5	—	—	3.50	3.50	3.50	—	—	4.40	10.50	11.50
	2.5	2.5	3.5	—	—	3.23	3.23	4.04	—	—	4.40	10.50	11.50
	2.5	2.5	5.0	—	—	2.86	2.86	4.77	—	—	4.40	10.50	11.50
	2.5	2.5	7.0	—	—	2.66	2.66	5.18	—	—	4.40	10.50	11.50
	2.5	3.5	3.5	—	—	3.00	3.75	3.75	—	—	4.40	10.50	11.50
	2.5	3.5	5.0	—	—	2.68	3.35	4.47	—	—	4.40	10.50	11.50
	2.5	3.5	7.0	—	—	2.50	3.13	4.87	—	—	4.40	10.50	11.50
	2.5	5.0	5.0	—	—	2.42	4.04	4.04	—	—	4.40	10.50	11.50
	3.5	3.5	3.5	—	—	3.50	3.50	3.50	—	—	4.40	10.50	11.50
	3.5	3.5	5.0	—	—	3.15	3.15	4.20	—	—	4.40	10.50	11.50
	3.5	5.0	5.0	—	—	2.86	3.82	3.82	—	—	4.40	10.50	11.50
	1:4	2.5	2.5	2.5	2.5	—	2.63	2.63	2.63	2.63	—	4.40	10.50
2.5		2.5	2.5	3.5	—	2.47	2.47	2.47	3.09	—	4.40	10.50	11.50
2.5		2.5	2.5	5.0	—	2.25	2.25	2.25	3.75	—	4.40	10.50	11.50
2.5		2.5	2.5	7.0	—	2.12	2.12	2.12	4.13	—	4.40	10.50	11.50
2.5		2.5	3.5	3.5	—	2.33	2.33	2.92	2.92	—	4.40	10.50	11.50
2.5		2.5	3.5	5.0	—	2.14	2.14	2.67	3.56	—	4.40	10.50	11.50
2.5		3.5	3.5	3.5	—	2.21	2.76	2.76	2.76	—	4.40	10.50	11.50
2.5		3.5	3.5	5.0	—	2.03	2.54	2.54	3.39	—	4.40	10.50	11.50
3.5	3.5	3.5	3.5	—	2.63	2.63	2.63	2.63	—	4.40	10.50	11.50	
1:5	2.5	2.5	2.5	2.5	2.5	2.10	2.10	2.10	2.10	2.10	4.40	10.50	11.50
	2.5	2.5	2.5	2.5	3.5	2.00	2.00	2.00	2.00	2.50	4.40	10.50	11.50
	2.5	2.5	2.5	2.5	5.0	1.85	1.85	1.85	1.85	3.09	4.40	10.50	11.50
	2.5	2.5	2.5	3.5	3.5	1.91	1.91	1.91	2.39	2.39	4.40	10.50	11.50



# HEAT PUMPS





Heiko's THERMAL and THERMAL Plus heat pumps are modern and energy-saving devices, which ensure efficient and safe operation. They can be used to heat residential houses as well as commercial buildings. The heat pump draws energy from the air and uses it to heat or cool the building and to heat utility water. This eco-friendly solution uses an efficient and environmentally safe refrigerant R32 with reduced global warming potential. The hydraulic monoblock module installed in the devices does not require buying additional components for the heat pump and ensures easy and safe hydraulic connections.

Heiko POOL heat pumps are devices designed for heating or cooling swimming pools. They can be used not only in home pools, but also in places where precise control of water temperature is required.

# HEAT PUMPS

## Models available

Device type

Refrigerant

**THERMAL Plus CH + DHW**

Monoblock with a hydraulic module and  
in-built 250 litre tank



**THERMAL CH + DHW**

Monoblock with a hydraulic module



Device type

Refrigerant

**POOL**

Swimming pool pump





6.0 kW

9.0 kW

12.0 kW



THERMAL Plus 6



THERMAL Plus 9



THERMAL Plus 12



THERMAL 6



THERMAL 9



THERMAL 12

5.0 kW

7.0 kW

9.0 kW

11.0 kW

15.0 kW



Pool 5



Pool 7



Pool 9



Pool 11



Pool 15

# HEAT PUMPS

## THERMAL Plus CH + DHW

### Monoblock with hydraulic module and integrated DHW storage tank

THERMAL Plus monoblock heat pumps are energy efficient devices which draw energy from the air and use it to heat or cool the building and prepare heat utility water. They can be used in single-family houses as well as commercial buildings. Heiko's heat pumps are advanced devices, which guarantee efficient and safe operation.



#### Hydraulic module – MONOBLOCK ALL IN ONE

The compact design of the hydraulic module with the integrated 250-litre DHW storage tank is ready to use out of the box. No additional system components need to be purchased, and no extra installation space is required for the DHW tank. The module enables easy and safe hydraulic connections.

**HYDRAULIC  
MODULE**  
MONOBLOK  
ALL IN ONE



#### Two heating circuits

A THERMAL Plus heat pump can be configured to supply different heat loads at the same time, like a radiator space heating system and an underfloor heating system. The two heating circuits ensure separate management of the temperature in different heat loads; in practical terms, different temperature settings can be made for the radiators and the underfloor heating.



#### Wide temperature range – reliable operation in all conditions

The Heiko heat pumps are reliable units which operate from -25°C outdoors and can heat DHW to 55°C.

**OPERATING  
RANGE**  
COOLING  
0-50°C



#### Wi-Fi control

The Wi-Fi control is available in standard, which makes operating the Heiko heat pumps more comfortable. The device can be easily controlled with a dedicated app. Thanks to the Wi-Fi control, Heiko service centre can remotely help the user.



#### Modern control panel

The integrated control panel enables easy and quick changing of operating parameters. The controller menu is available in several language versions.

**OPERATING  
RANGE**  
HEATING  
-25 - 45°C



#### Quiet operation

The Heiko THERMAL Plus heat pumps have DC motor fans, a well sound-insulated refrigerant compressor, and an optimised air fan design to ensure very quiet operation already at 52 dB(A). The units can also run in a quiet mode for improved comfort at work or while resting.



#### Automatic weather control

The Heiko THERMAL Plus heat pumps operate in an automatic process controlled by weather temperature curves. In practice, this means that the heat pump operation is adapted automatically to actual weather conditions without any human intervention.



#### Frequency converter technology

The frequency converter technology ensures economical operation of the heat pump without sudden voltage spikes in the compressor frequency. As a result, the pump's operation is energy efficient and quiet. The appliances have A+++ energy rating.





Model			HEIKO THERMAL PLUS 6	HEIKO THERMAL PLUS 9	HEIKO THERMAL PLUS 12
Seasonal energy efficiency rating, space heating, temperate climate	LWT = 35°C		A+++	A+++	A+++
	LWT = 55°C		A++	A++	A++
Rated heat capacity, including all auxiliary heating units, temperate climate (-10°C)**	LWT = 35°C	kW	4	6	8
	LWT = 55°C		4	6	7
Seasonal energy efficiency, space heating, temperate climate	LWT = 35°C	%	186.7	186	185.5
	LWT = 55°C		133.2	130.4	129.3
Annual energy consumption, temperate climate	LWT = 35°C	kWh	1827	2826	3879
	LWT = 55°C		2809	3728	3910
Indoor sound power level		dB(A)	44	44	44
Outdoor sound power level		dB(A)	52	53	52
Special precautions	See the Installation and Service Manuals before attempting the installation.				
Electrical power efficiency	N/A				
Rated heat capacity, including all auxiliary heating units, cold climate	LWT = 35°C	kW	3	5	7
	LWT = 55°C		3	5	6
Rated heat capacity, including all auxiliary heating units, warm climate	LWT = 35°C	kW	6	8	10
	LWT = 55°C		6	7	8
Seasonal energy efficiency, space heating, cold climate	LWT = 35°C	%	155	153	156
	LWT = 55°C		117	105	110
Seasonal energy efficiency, space heating, warm climate	LWT = 35°C	%	189	192	194
	LWT = 55°C		147	143	142
Annual energy consumption with regard to final energy amount – cold climate	LWT = 35°C	kWh	2071	3149	4020
	LWT = 55°C		3089	4100	4112
Annual energy consumption with regard to final energy amount – warm climate	LWT = 35°C	kWh	1710	3094	3480
	LWT = 55°C		2550	3510	3560
Heat pump unit power supply		V/Ph/Hz	220-240/1/50	220-240/1/50	220-240/1/50
Electrical heater power supply		V	230	400	400
Heating (LWT = 35°C) (Outdoor temperature 2°C, 85% RH, EWT 30°C, LWT 35°C)	Capacity	kW	6.1	7.8	10.1
	COP	-	3.8	3.87	3.9
Heating (LWT = 35°C) (Outdoor temperature 7°C, 85% RH, EWT 47°C, LWT 55°C)	Capacity	kW	6.5	9.2	11.6
	COP	-	4.61	4.38	4.3
Cooling (LWT = 18°C) (Outdoor temperature 35°C, EWT 23°C, LWT 18°C)	Capacity	kW	7.45	9.5	9.8
	EER	-	4.05	4.23	3.9
Cooling (LWT = 7°C) (Outdoor temperature 35°C, EWT 12°C, LWT 7°C)	Capacity	kW	7.45	9.5	9.8
	EER	-	4.05	4.23	3.9
Current protection control		A	16	25	25
Power supply (number of conductors x cross section)		mm <sup>2</sup>	5 x 4	5 x 4	5 x 4
Dimensions of the indoor unit (W x H x D)	Net/gross	mm	600 x 680 x 1780 / 650 x 750 x 1960	600 x 680 x 1780 / 650 x 750 x 1960	600 x 680 x 1780 / 650 x 750 x 1960
		mm	1010 x 370 x 700 / 1040 x 455 x 730	1165 x 370 x 845 / 1210 x 455 x 875	1165 x 370 x 845 / 1210 x 455 x 875
Indoor unit weight		kg	125 / 135	125 / 135	125 / 135
Outdoor unit weight		kg	67 / 78	80 / 95	85 / 105
Compressor	Type		Twin Rotary – 1	Twin Rotary – 1	Twin Rotary – 1
Sensors			TC (system temp.), TW (DHW temp.), TV1 (1st circuit temp.), TV2 (2nd circuit temp.), TR (room temp.)		
Integrated electrical heater		kW	3	6	6
Compressor manufacturer			Mitsubishi	Mitsubishi	Mitsubishi
Refrigerant	Type / amount of gas	kg	R32 / 0.9	R32 / 1.4	R32 / 1.8
	Cooling	°C	0 ~ 50	0 ~ 50	0 ~ 50
Recommended operating range	Heating	°C	-25 - 45	-25 - 45	-25 - 45
	DHW	°C	-25 - 55	-25 - 55	-25 - 55
Water side heat exchanger	Type		Plate heat exchanger		
Water-side connection	Type	Inch	1	1	1
Water Pump	Max lifting height	m	7.5	7.5	7.5
	Cooling	°C	7 – 25	7 – 25	7 – 25
Outlet water temperature range	Heating	°C	20 – 55	20 – 55	20 – 55
	DHW (tank)	°C	25 – 55	25 – 55	25 – 55

\* When installed and started by the Authorised Service.

\*\* Heating power for outdoor temperature of -10°C

# HEAT PUMPS

## THERMAL CH + DHW

### Monoblock with hydraulic module

THERMAL monoblock heat pumps are energy efficient devices which draw energy from the air and use it to heat or cool the building and prepare heat utility water. They can be used in single-family houses as well as commercial buildings. Heiko's heat pumps are advanced devices, which guarantee efficient and safe operation.



#### Two heating circuits

A standard THERMAL heat pump can be configured to supply different heat loads at the same time, like a radiator space heating system and an underfloor heating system. With two heating circuits, the temperature in different heat sources can be managed separately; in practical terms, different temperature settings can be made for the radiators and the underfloor heating.



#### Wide temperature range – reliable operation in all conditions

The Heiko heat pumps are reliable units which operate from -25°C outdoors and can heat DHW to 55°C.



#### Wi-Fi control

The Wi-Fi control is available in standard, which makes operating the Heiko heat pumps more comfortable. The device can be easily controlled with a dedicated app. Thanks to the Wi-Fi control, Heiko service centre can remotely help the user.



#### Modern control panel

The integrated control panel enables easy and quick changing of operating parameters. The controller menu is available in several language versions.



#### Quiet operation

The Heiko THERMAL heat pumps have DC motor fans, a well sound-insulated refrigerant compressor, and an optimised air fan design to ensure very quiet operation already at 52 dB(A). The units can also run in a quiet mode for improved comfort at work or while resting.



#### Automatic weather control

The Heiko THERMAL heat pumps operate in an automatic process controlled by weather temperature curves. In practice, this means that the heat pump operation is adapted automatically to actual weather conditions without any human intervention.



#### Frequency converter technology

The frequency converter technology ensures economical operation of the heat pump without sudden voltage spikes in the compressor frequency. As a result, the pump's operation is energy efficient and quiet. The appliances have A+++ energy rating.

#### AUTOMATIC

WEATHER  
CONTROL

#### OPERATING RANGE

COOLING  
0-50°C

#### OPERATING RANGE

HEATING  
-25 - 45°C





Model			HEIKO THERMAL 6	HEIKO THERMAL 9	HEIKO THERMAL 12
Seasonal energy efficiency rating, space heating, temperate climate	LWT = 35°C		A+++	A+++	A+++
	LWT = 55°C		A++	A++	A++
Rated heat capacity, including all auxiliary heating units, temperate climate (-10°C)**	LWT = 35°C	kW	4	6	8
	LWT = 55°C		4	6	7
Seasonal energy efficiency, space heating, temperate climate	LWT = 35°C	%	186.7	186	185.5
	LWT = 55°C		133.2	130.4	129.3
Annual energy consumption, temperate climate	LWT = 35°C	kWh	1827	2826	3879
	LWT = 55°C		2809	3728	3910
Indoor sound power level		dB(A)	44	44	44
Outdoor sound power level		dB(A)	52	53	52
Special precautions	See the Installation and Service Manuals before attempting the installation.				
Electrical power efficiency			N/A		
Rated heat capacity, including all auxiliary heating units, cold climate	LWT = 35°C	kW	3	5	7
	LWT = 55°C		3	5	6
Rated heat capacity, including all auxiliary heating units, warm climate	LWT = 35°C	kW	6	8	10
	LWT = 55°C		6	7	8
Seasonal energy efficiency, space heating, cold climate	LWT = 35°C	%	155	153	156
	LWT = 55°C		117	105	110
Seasonal energy efficiency, space heating, warm climate	LWT = 35°C	%	189	192	194
	LWT = 55°C		147	143	142
Annual energy consumption with regard to final energy amount – cold climate	LWT = 35°C	kWh	2071	3149	4020
	LWT = 55°C		3089	4100	4112
Annual energy consumption with regard to final energy amount – warm climate	LWT = 35°C	kWh	1710	3094	3480
	LWT = 55°C		2550	3510	3560
Heat pump unit power supply		V/Ph/Hz	220-240/1/50	220-240/1/50	220-240/1/50
Electrical heater power supply		V	230	400	400
Heating (LWT = 35°C) (Outdoor temperature 2°C, 85% RH, EWT 30°C, LWT 35°C)	Capacity	kW	6.1	7.8	10.1
	COP	-	3.8	3.87	3.9
Heating (LWT = 35°C) (Outdoor temperature 7°C, 85% RH, EWT 47°C, LWT 55°C)	Capacity	kW	6.5	9.2	11.6
	COP	-	4.61	4.38	4.3
Cooling (LWT = 18°C) (Outdoor temperature 35°C, EWT 23°C, LWT 18°C)	Capacity	kW	7.45	9.5	9.8
	EER	-	4.05	4.23	3.9
Cooling (LWT = 7°C) (Outdoor temperature 35°C, EWT 12°C, LWT 7°C)	Capacity	kW	7.45	9.5	9.8
	EER	-	4.05	4.23	3.9
Current protection control		A	16	25	25
Power supply (number of conductors x cross section)		mm <sup>2</sup>	5 x 4	5 x 4	5 x 4
Dimensions of the indoor unit (W x H x D)	Net/gross	mm	570x550x260 / 620x600x310	570x550x260 / 620x600x310	570x550x260 / 620x600x310
			1010x370x700 / 1060x420x750	1165x370x845 / 1200x420x900	1165x370x845 / 1200x420x900
Dimensions of the outdoor unit (W x H x D)	Net/gross	mm	1060x420x750	1200x420x900	1200x420x900
Indoor unit weight		kg	25 / 31	25 / 31	25 / 31
Outdoor unit weight		kg	65 / 76	78 / 90	85 / 94
Compressor	Type		Twin Rotary – 1	Twin Rotary – 1	Twin Rotary – 1
Sensors			TC (system temp.), TW (DHW temp.), TV1 (1st circuit temp.), TV2 (2nd circuit temp.), TR (room temp.)		
Integrated electrical heater		kW	3	6	6
Compressor manufacturer			Mitsubishi	Mitsubishi	Mitsubishi
Refrigerant	Type / amount of gas	kg	R32 / 0.9	R32 / 1.4	R32 / 1.8
	Cooling	°C	0 - 50	0 - 50	0 - 50
Recommended operating range	Heating	°C	-25 - 45	-25 - 45	-25 - 45
	DHW	°C	-25 - 55	-25 - 55	-25 - 55
Water side heat exchanger	Type		Plate heat exchanger		
Water-side connection	Type	Inch	1	1	1
Water Pump	Max lifting height	m	7.5	7.5	7.5
	Cooling	°C	7 – 25	7 – 25	7 – 25
Outlet water temperature range	Heating	°C	20 – 55	20 – 55	20 – 55
	DHW (tank)	°C	25 – 55	25 – 55	25 – 55

\* When installed and started by the Authorised Service.

\*\* Heating power for outdoor temperature of -10°C

# HEAT PUMPS

## POOL

### Swimming pool pump

The Heiko POOL heat pumps are devices that can be connected directly to the process circuit of swimming pool water. They are installed near a swimming pool and they can both heat or cool the water. The heat pumps have a condenser, which is resistant to chlorinated or salt water. They are equipped with a panel for quick and easy control. The Heiko POOL heat pumps are a perfect solution not only for home pools, but also wherever precise control of water temperature is necessary.



#### R32 refrigerant

The R32 refrigerant used in the heat pumps makes them far more efficient than the appliances operating on the commonly used R410A refrigerant.



#### Smart controller

The integral smart controller enables quick and easy operation through the panel placed directly on the heat pump.



#### Low power consumption

Innovative solutions enabled a significant reduction of energy consumption.

#### CONDENSER

RESISTANT  
AGAINST CHLO-  
RINATED AND  
SALT WATER

#### DIRECT

CONNECTION TO  
WATER PROCESSING  
CIRCUIT





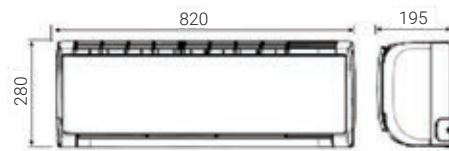
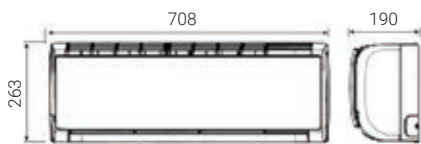
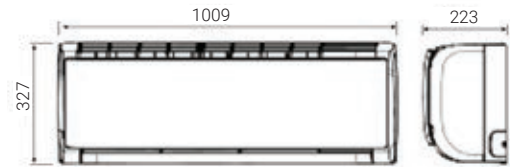
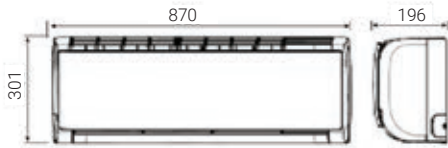
Model			HEIKO POOL 5	HEIKO POOL 7	HEIKO POOL 9	HEIKO POOL 11	HEIKO POOL 15
Outdoor sound power level		dB(A)	50	51	52	54	54
Special precautions	See the Installation and Service Manuals before attempting the installation.						
Power supply		V/Ph/Hz	220-240/1/50	220-240/1/50	220-240/1/50	220-240/1/50	220-240/1/50
Air temperature 26°C/Water temperature 26°C	Capacity	kW	7,2	9,5	13,0	14,7	19,8
	COP	-	13,6	14,0	16,4	16,5	16,7
Air temperature 15°C/Water temperature 26°C	Capacity	kW	5,4	6,7	8,7	10,8	14,7
	COP	-	6,5	6,6	7,8	7,7	7,9
Current protection control		A	16	16	16	20	20
Power supply of the electric heaters		mm <sup>2</sup>	3 x 2.5	3 x 2.5	3 x 2.5	3 x 4	3 x 4
Dimensions of the outdoor unit (W x H x D)	net/gross		848x375x643/ 888x396x798	848x375x643/ 888x396x798	848x375x643/ 888x396x798	932x375x643/ 968x396x798	1129x395x743/ 1166x416x898
Outdoor unit weight		kg	41.5 / 43	43 / 45	47.5 / 50	54.5 / 57	68 / 72
Compressor	Type		Hermetic Rotary DC Inverter Compressor				
Refrigerant connections (liquid/gas)			15 ~ 30	22 ~ 43	30 ~ 56	34 ~ 68	45 ~ 85
Max pool volume (m <sup>3</sup> )*							
Compressor manufacturer			GMCC	GMCC	GMCC	MITSUBISHI	GMCC
Refrigerant	Type / amount of gas	kg	R32 / 0.45	R32 / 0.45	R32 / 0.6	R32 / 0.65	R32 / 1
Expansion valve			Electronic				
Recommended operating range	Cooling	°C	-7 ~ 43	-7 ~ 43	-7 ~ 43	-7 ~ 43	-7 ~ 43
	Heating	°C	-7 ~ 43	-7 ~ 43	-7 ~ 43	-7 ~ 43	-7 ~ 43
Water side heat exchanger	Type		Titanium heat exchanger				
Water-side connection	Type	mm	PVC 50				
Outlet water temperature range	Cooling	°C	15 ~ 40	15 ~ 40	15 ~ 40	15 ~ 40	15 ~ 40
	Heating	°C	8 ~ 28	8 ~ 28	8 ~ 28	8 ~ 28	8 ~ 28

\* Calculated for an in-ground private swimming pool covered with a bubble cover.

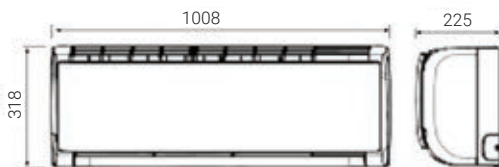
# HEIKO Dimensions

---

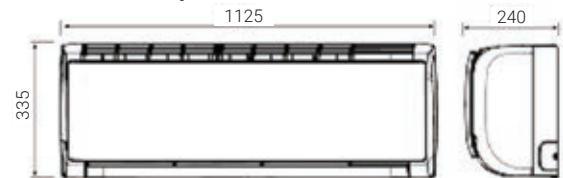
## JS050-A1



## JS050-C1, JS050-C2



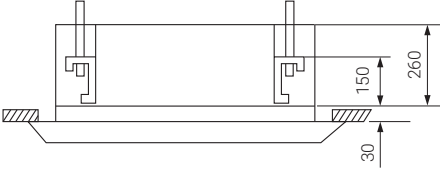
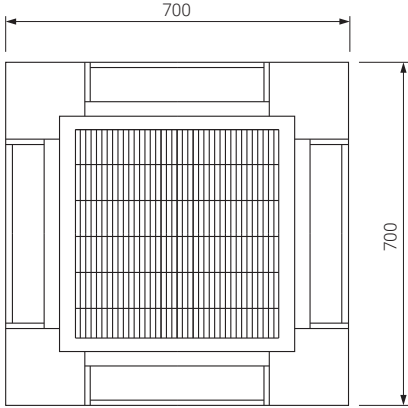
## JS070-C1, JS070-C2



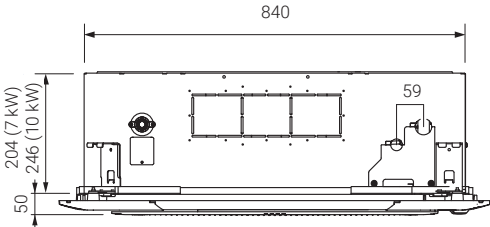
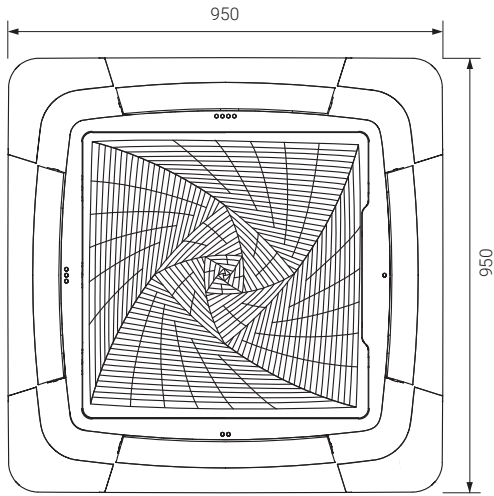


Cassette air conditioners

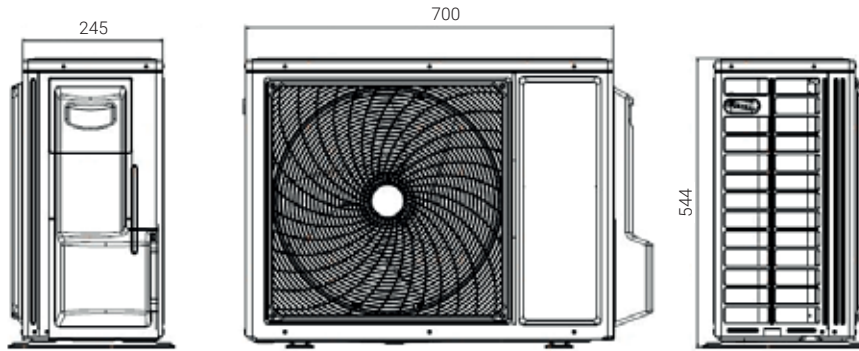
CA035-A1, CA050-A1



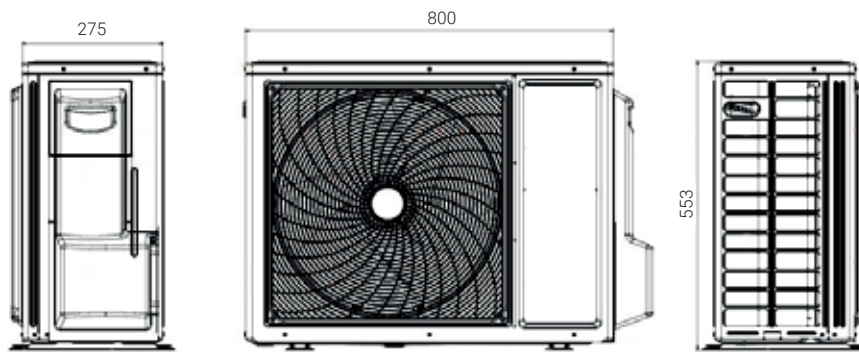
CA070-A1, CA100-A1



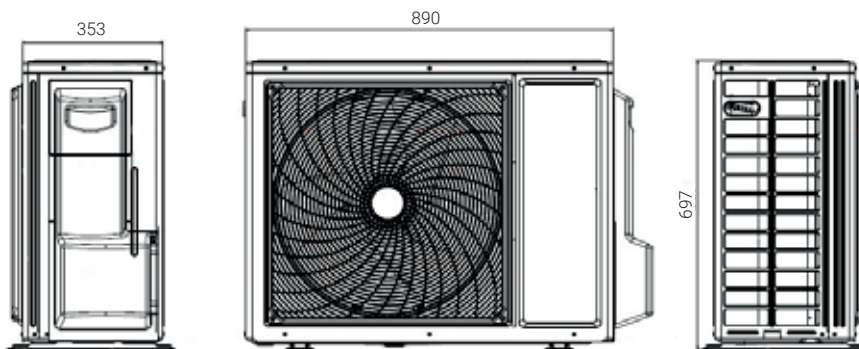
**JZ025-C1, JZ035-C1, JZ025-C2, JZ035-C2**



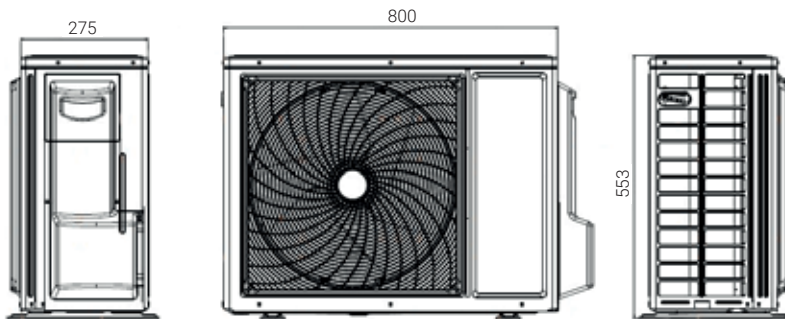
**JZ050-C1**



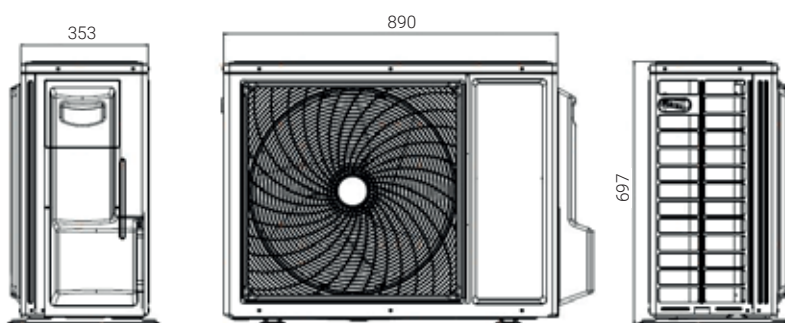
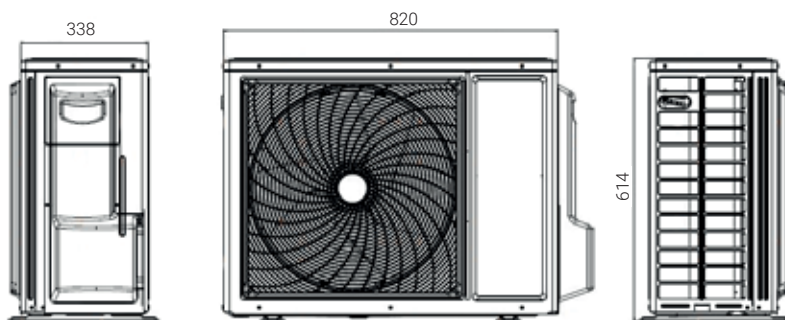
**JZ070-C1**



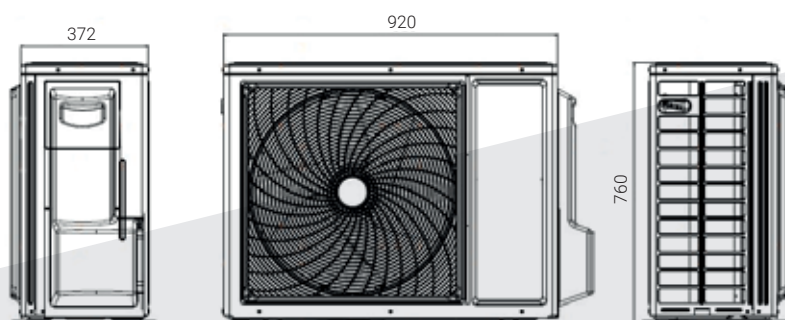
# HEIKO Dimensions



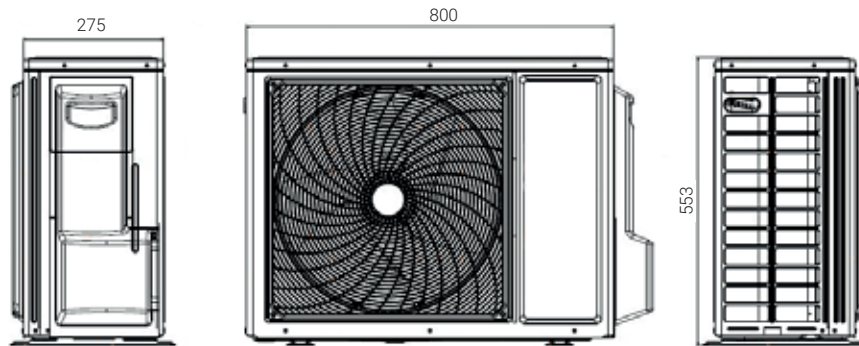
## JZ050-A1



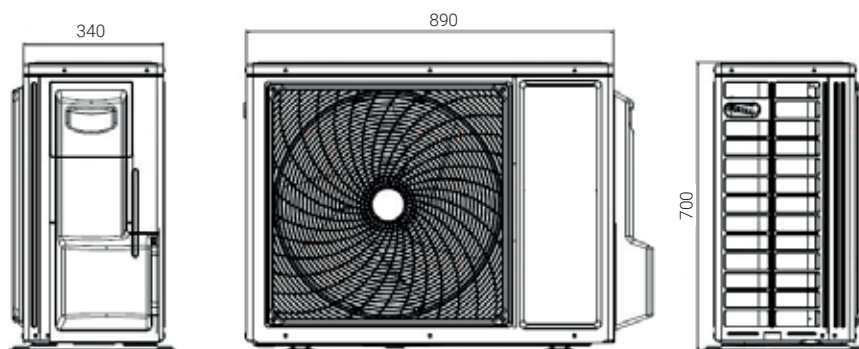
## JZ100-A1



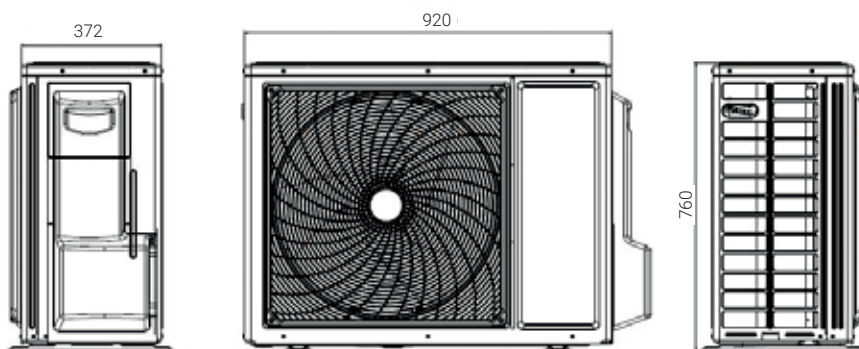
### M2T050-D1



### M3T070-D1



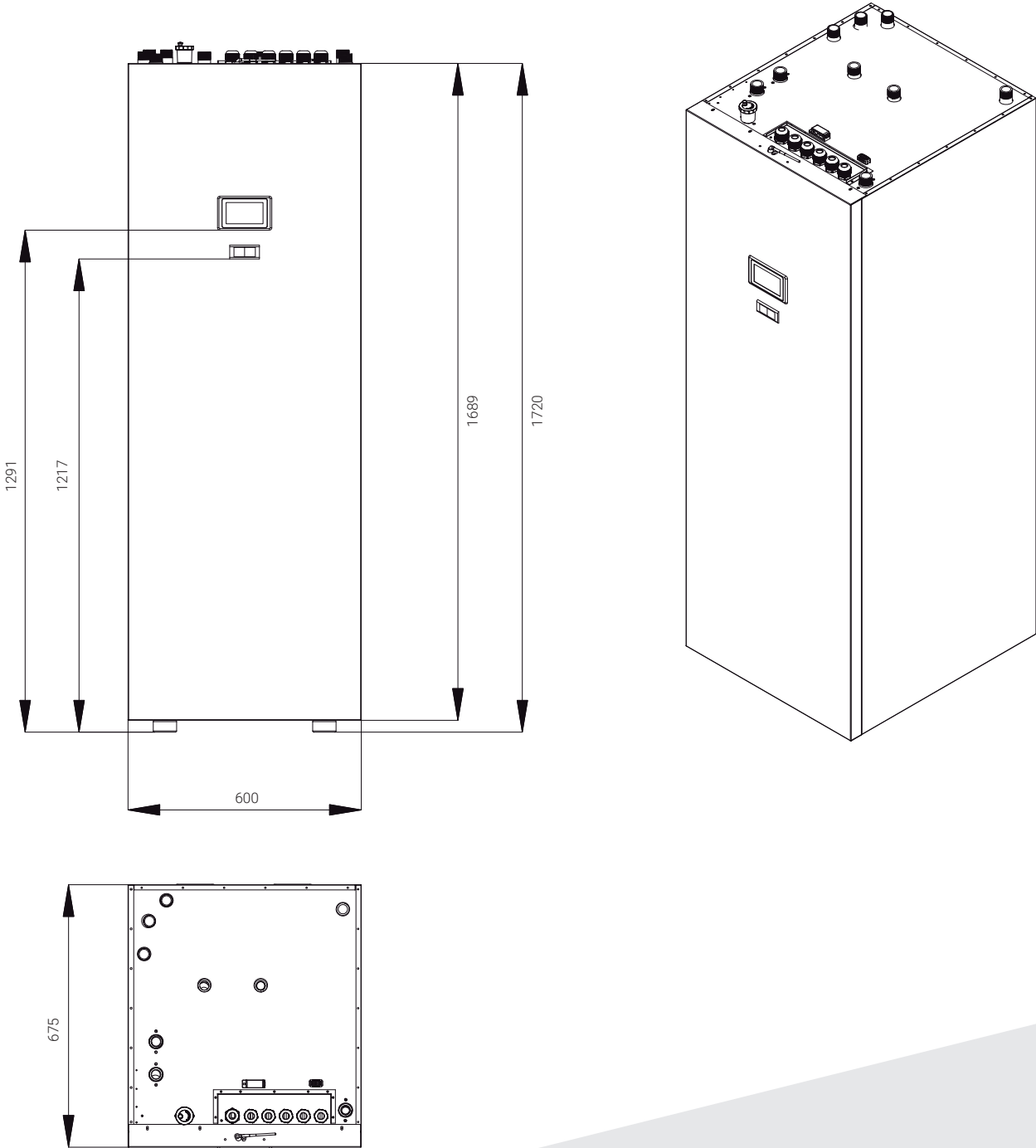
### M5T100-D1

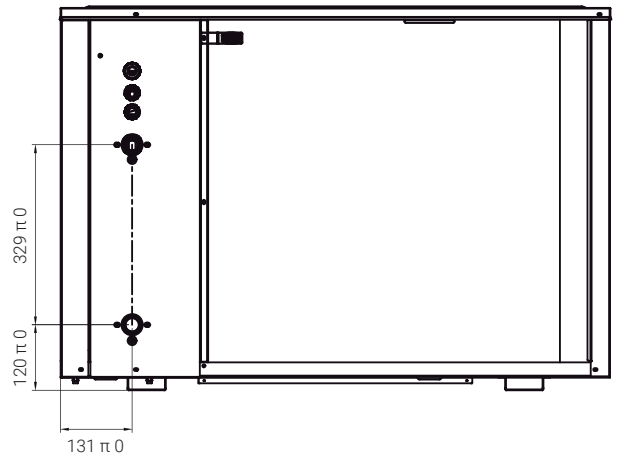
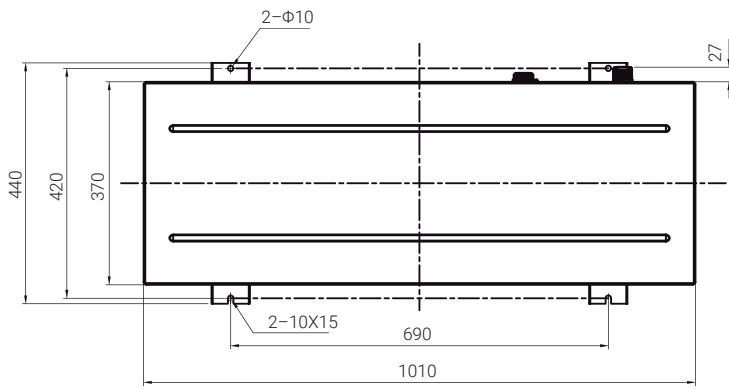
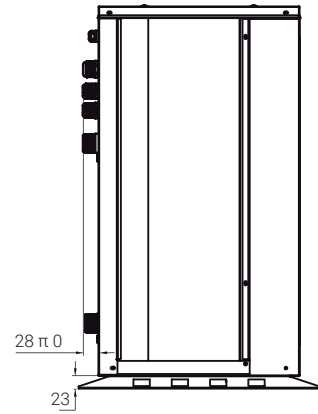
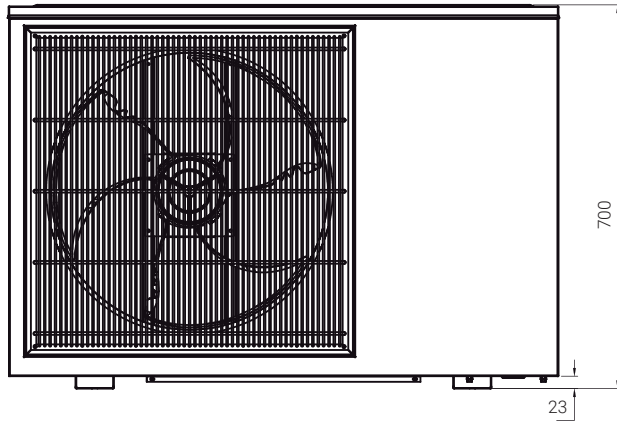


# HEIKO Dimensions

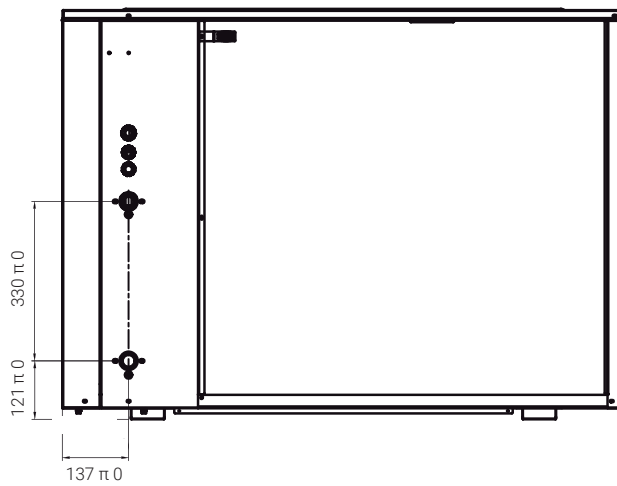
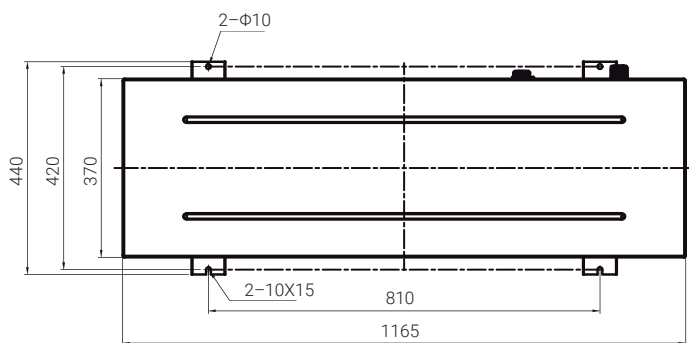
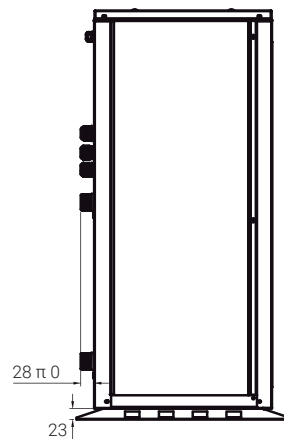
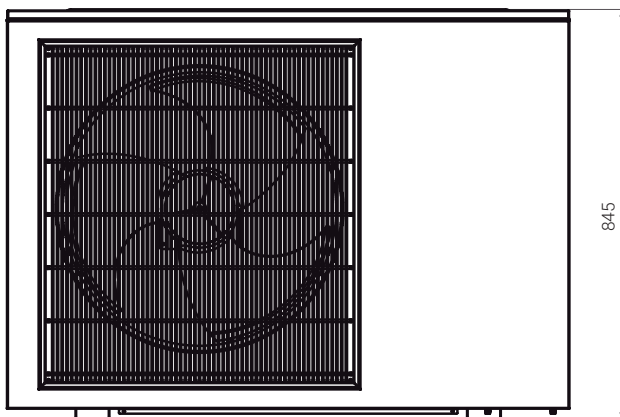
## Heat Pumps

### THERMAL Plus 6, 9, 12 – indoor unit

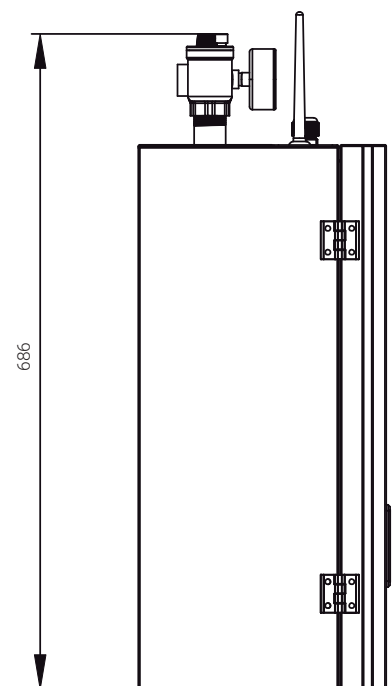
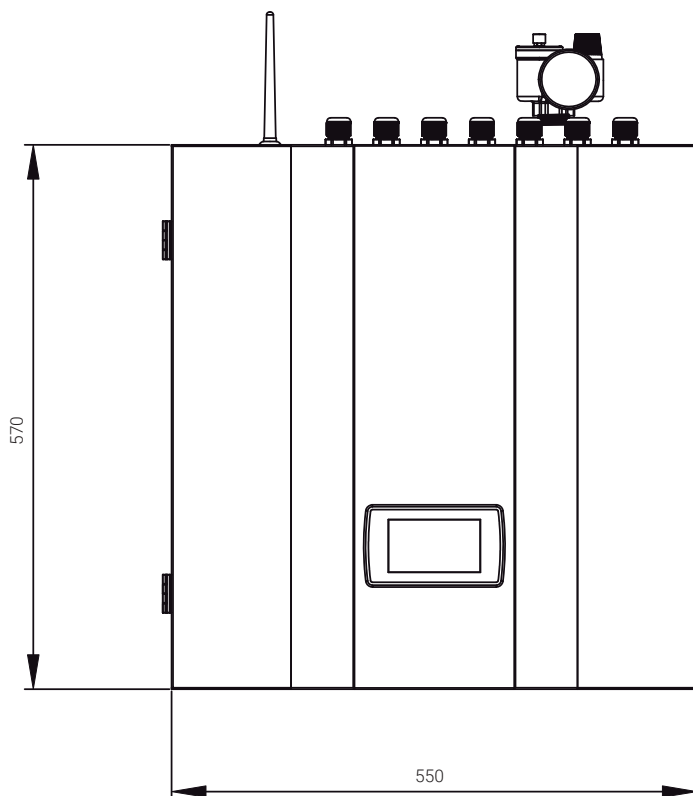
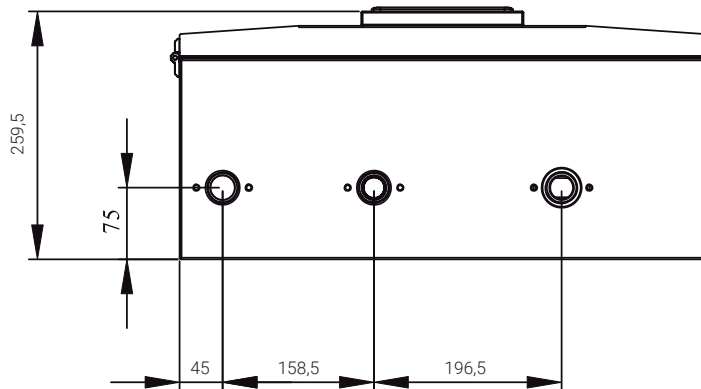




# THERMAL Plus 9, 12 – outdoor unit

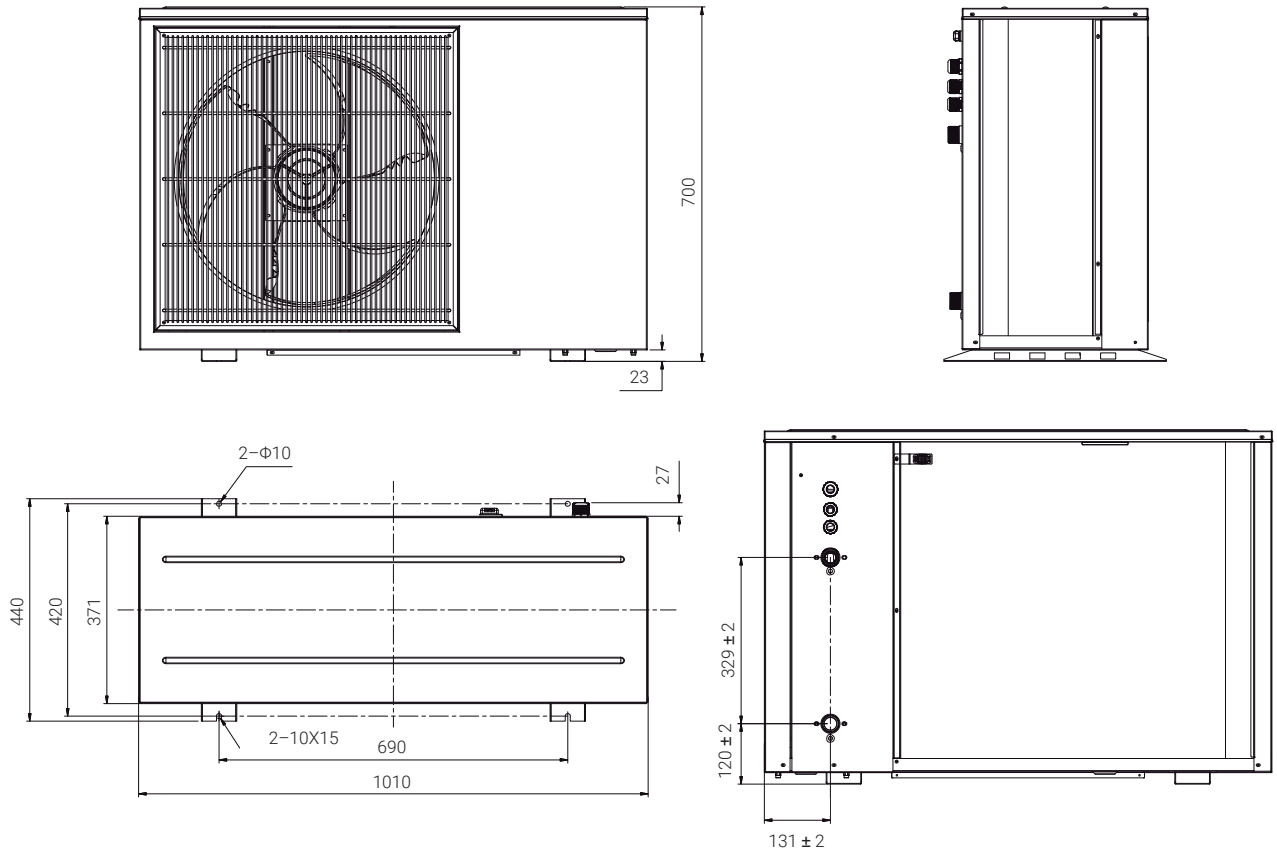


## THERMAL 6, 9, 12 – indoor unit

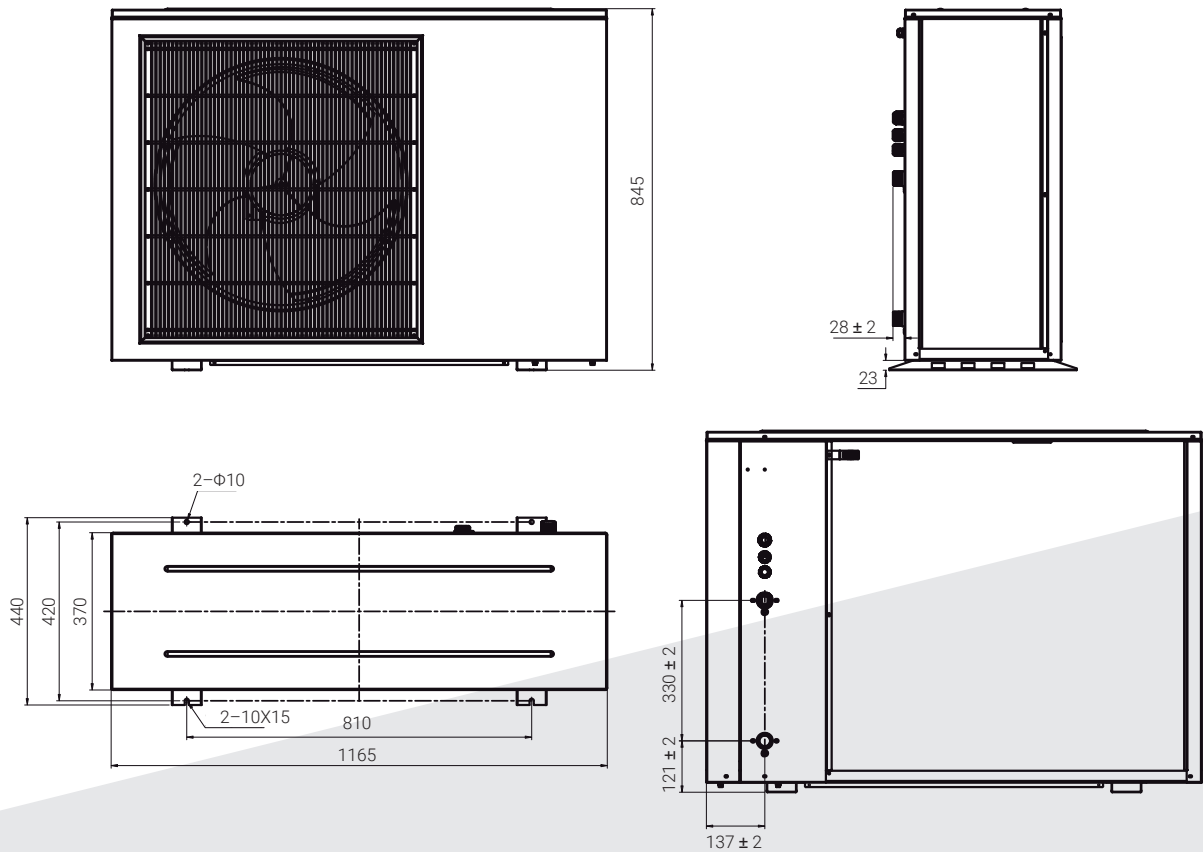




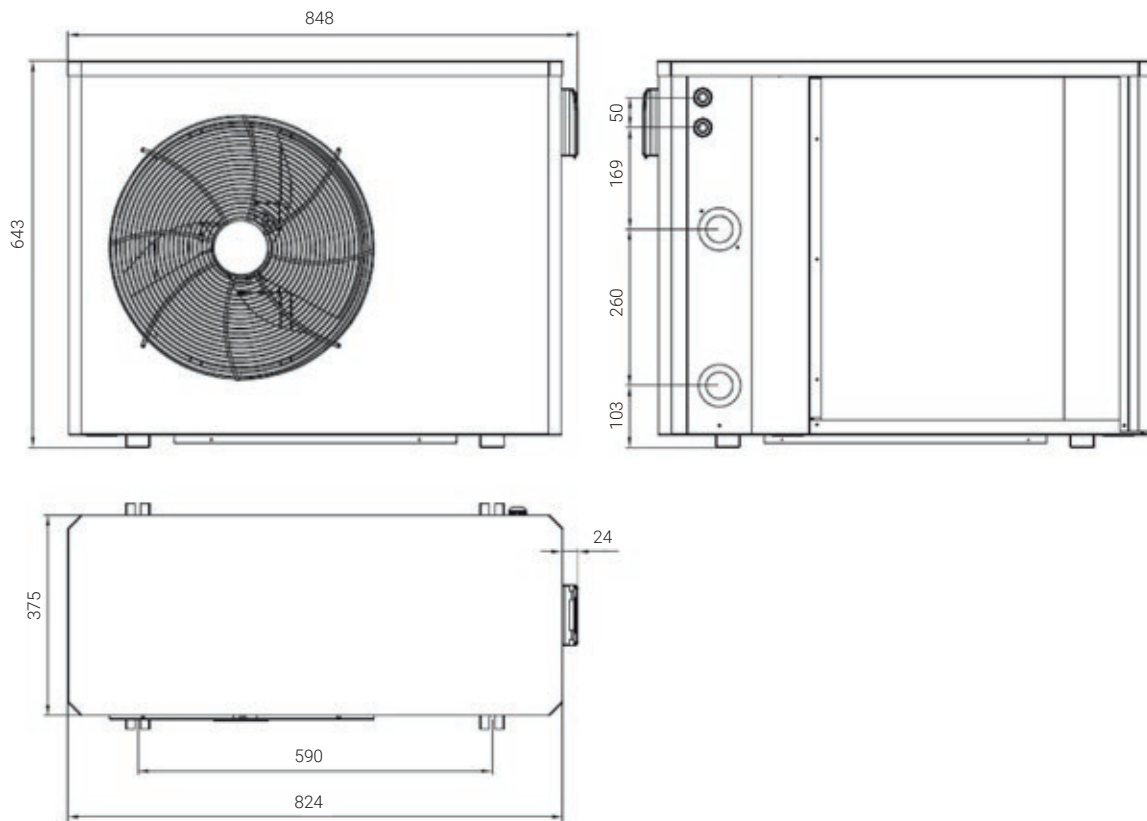
## THERMAL 6 – outdoor unit



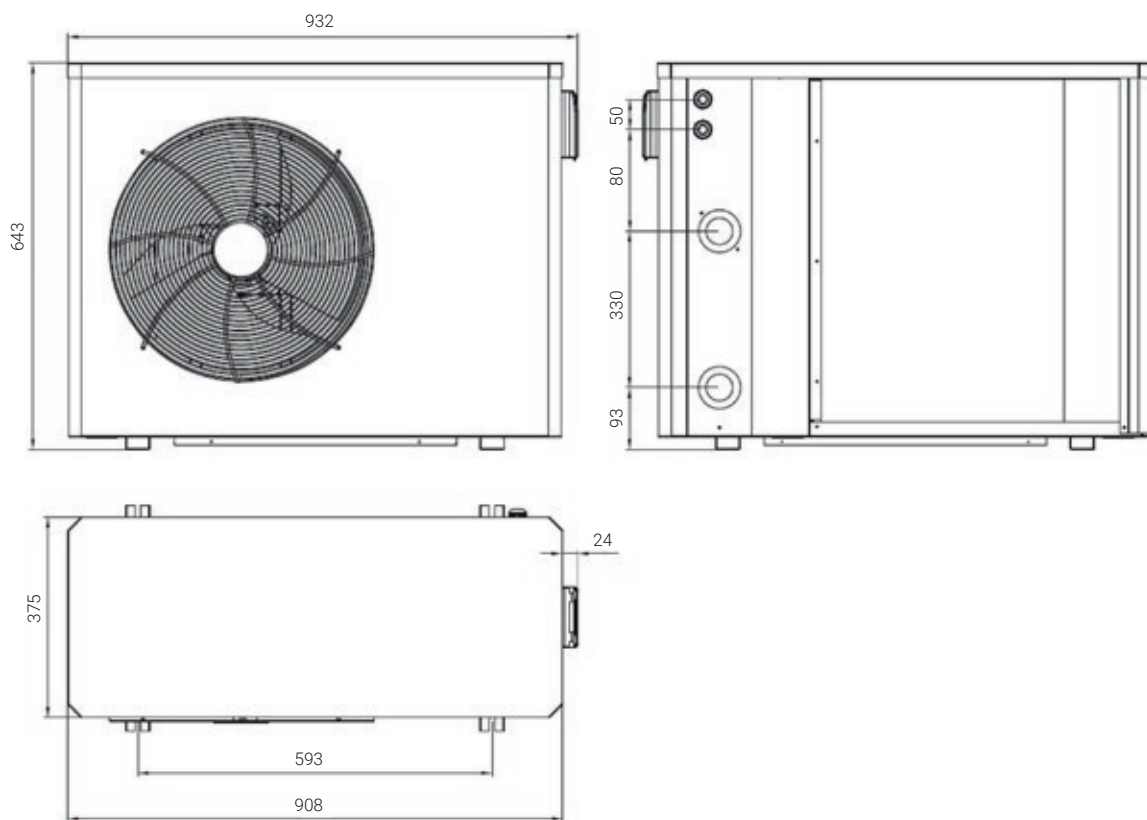
## THERMAL 9, 12 – outdoor unit

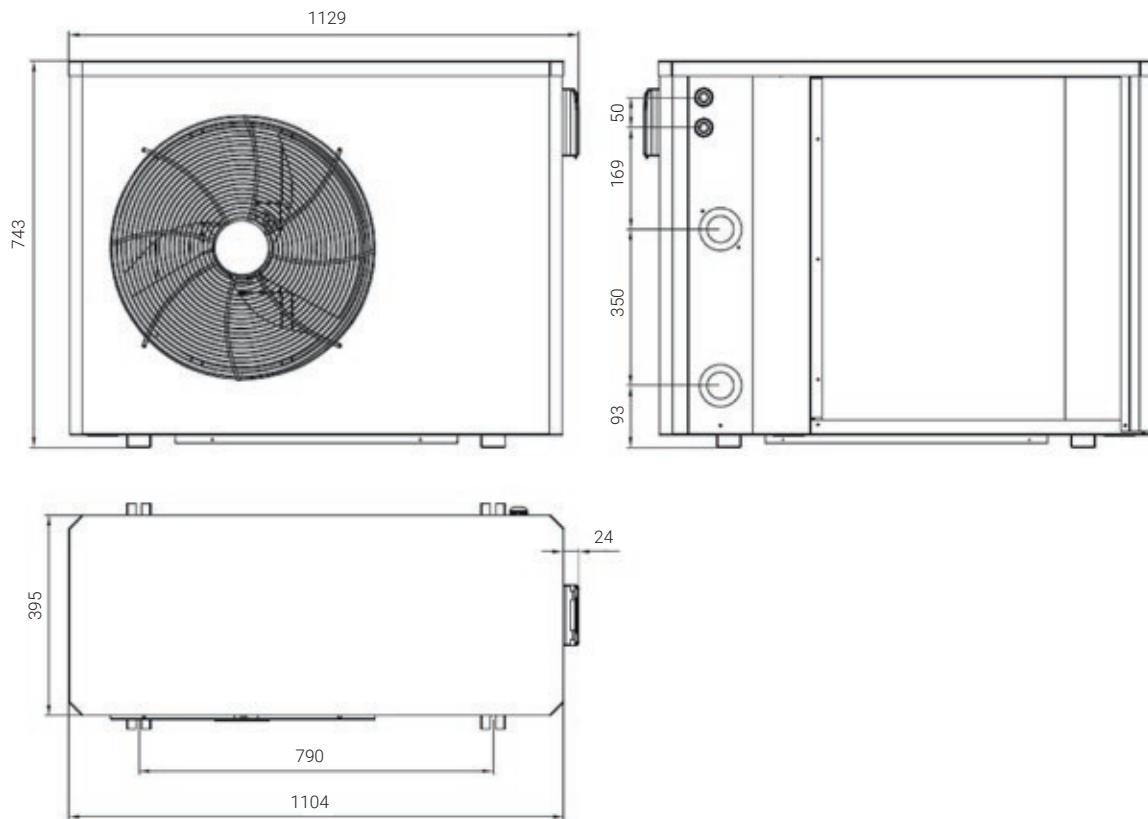


## POOL 5, 7, 9



## POOL 11





1/2022

The General Distributor of HEIKO air conditioning systems and heat pumps – Refsystem Sp. z o.o. reserves the right to update the date without prior notice. The up-to-date technical specifications are available at [www.heiko.pl](http://www.heiko.pl).



# HEIKO

## **A General Distributor of HEIKO**

REFSYSTEM Sp. z o.o.  
ul. Metalowców 5, 86-300 Grudziądz

Support for air conditioning systems: +48 726 002 102  
Support for heat pumps: +48 661 500 987

[www.heiko.pl](http://www.heiko.pl)