

HEIKO



Ensure comfort
wherever
you stay

Heiko Air Conditioning Systems

Split and Multi Split

heiko.pl



HEIKO

**Heiko offers Split,
Multi Split and
mobile air
conditioners**

BRAND

Heiko is a brand that was created in response to the needs of the growing market. Its dynamic enables the introduction of cutting-edge technologies. Heiko systems are friendly solutions for the Users, the Installers and the environment. Our brand is distinguished by a wide range of appliances for homes, offices and business.

COMFORT

Heiko prioritises user comfort. The appliances are characterised by: quiet operation, high energy efficiency, intelligent Wi-Fi control and easy and quick installation. Split and Multi Split air conditioners ensure efficient operation in independent modes: cooling, heating, drying, fan and AUTO.

EFFICIENCY

Split and Multi Split systems operate based on the eco-friendly R32 refrigerant, which is characterised by a reduced global warming potential. In addition, Heiko is distinguished by the inverter technology that significantly reduces the electricity consumption.

SPLIT

Air conditioners









Split air conditioners are a perfect solution for homes, offices and business. Heiko appliances provide not only cooling and heating. Their functions exceed standard air conditioner features.

A Split unit consists of two basic components — the indoor unit and the outdoor unit. Our product range includes systems with different capacities to suit the room area size. Heiko is timeless design that fits any interior design. State-of-the-art appliances with high energy efficiency, equipped with top quality components.

SPLIT

Models available

Indoor and outdoor units	Refrigerant	Controller	2.5 kW	3.5 kW	5.0 kW	7.0 kW	10.0 kW
C1 wall-mounted air conditioners		 YR-HAC01 wireless controller (included)	 JS025-C1  JZ025-C1	 JS035-C1  JZ035-C1	 JS050-C1  JZ050-C1	 JS070-C1  JZ070-C1	
BRISA wall-mounted air conditioner		 YR-HAC01 wireless controller (included)	 JS025-C2  JZ025-C2	 JS035-C2  JZ035-C2	 JS050-C2  JZ050-C2	 JS070-C2  JZ070-C2	
ARIA wall-mounted air conditioner		 YR-HAC01 wireless controller (included)	 JS025-A1  JZ025-A1	 JS035-A1  JZ035-A1	 JS050-A1  JZ050-A1		
CASSETTE air conditioners with 4-way airflow		 YR-HRC01 wireless controller (optional)  YR-C01 wired controller (optional)		 CA035-A1  JZ035-A1	 CA050-A1  JZ050-A1		
CASSETTE air conditioners with peripheral airflow		 YR-HRC01 wireless controller (optional)  YR-C01 wired controller (optional)				 CA070-A1  JZ070-A1	 CA100-A1  JZ100-A1
Mobile air conditioner	R290	 Wireless controller (included)		 AM12HEIA4			

SPLIT C1 wall-mounted air conditioners

C1 wall-mounted air conditioners are recognised appliances that operate on the R32 refrigerant. They are available with several capacities, while maintaining high energy efficiency. Moreover, the system operates based on the inverter technology that contributes to lower energy consumption. The slim and simple design of C1 air conditioners makes them a perfect choice for homes, offices and business.

TEMPERATURE SETPOINT from 16 to 30°C



High energy efficiency

Innovative solutions enabled a significant reduction of energy consumption in both cooling and heating mode. The appliances have A++/A+ energy rating.



Quick and easy installation

The design of the air conditioners and new technological solutions enable trouble-free and efficient installation. Easier access, increased installation space and right- and left-sided connection options reduce the installation time to as little as 40 min.



R32 refrigerant

The R32 refrigerant used in Split air conditioners makes them far more efficient than the appliances operating on the commonly used R410A refrigerant.



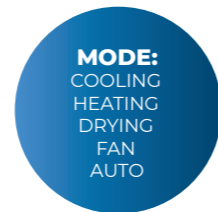
SMART airflow

An innovative solution for airflow control. The stream is directed upwards during the cooling and downwards during the heating, which enables an even distribution of air, thus preventing direct airflow on the user.



Quiet operation

The components comprising the air conditioner and the optimum airflow system ensure quiet operation for comfort during work and leisure.



Indoor unit			JS025-C1	JS035-C1	JS050-C1	JS070-C1
Outdoor unit			JZ025-C1	JZ035-C1	JZ050-C1	JZ070-C1
Capacity (cooling)	Rated (min - max)	Btu/h	8870 (2730 - 10238)	11944 (2730 - 12620)	17060 (4430 - 19790)	23880 (7500 - 29000)
	Rated (min - max)	kW	2.6 (0.8 - 3.0)	3.5 (0.8 - 3.7)	5.0 (1.3 - 5.8)	7.0 (2.2 - 8.5)
Energy efficiency	SEER/EER		6.1/3.23	6.1/2.81	6.1/3.41	7.1/3.23
Energy rating	Cooling		A++	A++	A++	A++
Power input (cooling)	Rated (min - max)	kW	0.80 (0.30 - 1.20)	1.24 (0.30 - 1.60)	1.46 (0.40 - 2.00)	2.16 (0.70 - 2.90)
	Annual energy consumption (cooling)	kWh/y	149	201	287	350
Capacity (heating)	Rated (min - max)	Btu/h	9550 (2730 - 10920)	12280 (2730 - 14330)	17740 (4770 - 20470)	27640 (8190 - 34120)
	Heating -7°C	Btu/h	6347	8463	13890	16890
	Rated (min - max)	kW	2.8 (0.8 - 3.2)	3.6 (0.8 - 4.2)	5.2 (1.4 - 6.0)	8.1 (2.4 - 10.0)
	Heating -7°C	kW	1.86	2.48	4.07	4.95
Energy efficiency	SCOP/COP (moderate climate)		4.0/3.71	4.0/3.41	4.0/3.71	4.0/3.71
	SCOP (warm/cold climate)		5.1/-	5.1/-	5.1/-	5.1/-
Energy rating (heating)	Moderate/warm/cold climate		A+/A+++/-	A+/A+++/-	A+/A+++/-	A+/A+++/-
Power input (heating)	Rated (min - max)	kW	0.75 (0.30 - 1.40)	1.05 (0.30 - 1.60)	1.40 (0.52 - 2.5)	2.18 (0.70 - 2.90)
	Annual energy consumption (heating)	kWh/y	717	980	1610	1963
Operating range (cooling)	Min - max (out)	°C	-10 - 43	-10 - 43	-10 - 43	-10 - 43
Operating range (heating)	Min - max (out)	°C	-15 - 24	-15 - 24	-15 - 24	-15 - 24
Power supply		Ph/V/Hz	1/230/50	1/230/50	1/230/50	1/230/50
Power supply (position)			indoor unit		outdoor unit	
Indoor unit			JS025-C1	JS035-C1	JS050-C1	JS070-C1
Package dimensions	W/D/H	mm	708/190/263	820/195/280	1008/225/318	1125/240/335
Dimensions with packaging	W/D/H	mm	786/270/348	909/279/355	1085/329/403	1206/342/418
Net/gross weight		kg	7.4/8.8	8.2/10.5	11.6/14.4	14/17.5
Airflow (cooling/heating)	Max	m³/h	500	550	900	1200
Sound power level		dB(A)	54	56	57	60
Sound pressure level		dB(A)	37/32/28/18	37/33/29/19	44/40/35/28	47/43/37/30
Moisture removal capacity		10³m³/h	1.2	1.6	2.0	2.8
Outdoor unit			JZ025-C1	JZ035-C1	JZ050-C1	JZ070-C1
Compressor			Hitachi	Hitachi	Hitachi	Hitachi
Net dimensions	W/D/H	mm	700/245/544	700/245/544	800/275/553	890/353/697
Packaging dimensions	W/D/H	mm	845/320/593	845/320/593	954/409/625	1046/460/780
Net/gross weight		kg	22.6/25.1	22.8/25.3	32.7/36.5	47.3/52.3
Airflow (cooling/heating)	Max	m³/h	2100	2100	2500	2900
Sound power level		dB(A)	62	62	65	65
Sound pressure level		dB(A)	49	50	53	52
Operating current	Max	A	6.2	7.1	11.3	13
Refrigerant filling	Refrigerant type		R32	R32	R32	R32
	Refrigerant filling	g	460	500	900	1200
Refrigerant piping	Liquid pipe diameter	mm	6.35	6.35	6.35	6.35
	Gas pipe diameter	mm	9.52	9.52	12.7	12.7
	Max pipeline length/Max level difference	m	15/10	15/10	25/15	25/15
	Max pipeline length without additional filling	m	5	5	7	7
	Extra refrigerant per metre of pipeline	g/m	20	20	20	20



SPLIT BRISA wall-mounted air conditioner

BRISA wall-mounted air conditioners are state-of-the-art appliances with high energy efficiency, equipped with top quality compressors. The sophisticated style of BRISA air conditioners makes them a perfect choice for homes and offices. The temperature control and the use of air conditioner functionalities are facilitated by the Wi-Fi control in standard and the included wireless controller.

TEMPERATURE SETPOINT from 16 to 30°C



Wi-Fi control

The Wi-Fi control in standard enables controlling the air conditioner with a telephone connected to the Internet from any place. The comfortable and intuitive Wi-Fi INTELLIGENT AIR app enables access to all basic settings of the air conditioner.



High energy efficiency

Innovative solutions enabled a significant reduction of energy consumption in both cooling and heating mode. The appliances have A++/A+ energy rating.



SMART airflow

An innovative solution for airflow control. The stream is directed upwards during the cooling and downwards during the heating, which enables an even distribution of air, thus preventing direct airflow on the user.



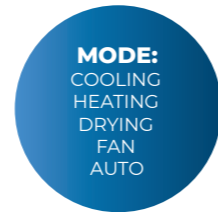
Airflow speed control

The option to control airflow shutters vertically and horizontally enables precise direction of the airflow. The function is available from the wireless controller and the Wi-Fi Intelligent Air app.



Quiet operation

The components comprising the air conditioner and the optimum airflow system ensure quiet operation for comfort during work and leisure.



Indoor unit			JS025-C2	JS035-C2	JS050-C2	JS070-C2
Outdoor unit			JZ025-C2	JZ035-C2	JZ050-C2	JZ070-C1
Capacity (cooling)	Rated (min – max)	Btu/h	8870 (2730 – 10238)	10920 (2730 – 12286)	17060 (4430 – 19790)	23880 (7500 – 29000)
	Rated (min – max)	kW	2.6 (0.8 – 3.0)	3.2 (0.8 – 3.6)	5.0 (1.3 – 5.8)	7.0 (2.2 – 8.5)
Energy efficiency	SEER/EER		6.1/3.23	6.1/3.01	6.1/3.41	7.1/3.23
Energy rating	Cooling		A++	A++	A++	A++
Power input (cooling)	Rated (min – max)	kW	0.80 (0.30 – 1.20)	1.06 (0.30 – 1.60)	1.46 (0.40 – 2.00)	2.16 (0.70 – 2.90)
	Annual energy consumption (cooling)	kWh	149	184	287	350
Capacity (heating)	Rated (min – max)	Btu/h	9555 (2730 – 10920)	11603 (2730 – 14330)	17740 (4770 – 20470)	27640 (8190 – 34120)
	Rated (min – max)	kW	2.8 (0.8 – 3.2)	3.4 (0.8 – 4.2)	5.2 (1.4 – 6.0)	8.1 (2.4 – 10.0)
Energy efficiency	SCOP/COP (moderate climate)		4.0/3.71	4.0/3.40	4.0/3.71	4.0/3.71
	SCOP (warm/cold climate)		5.1/-	5.1/-	5.1/-	5.1/-
Energy efficiency class (heating)	Moderate/warm/cold climate		A+/A+++/-	A+/A+++/-	A+/A+++/-	A+/A+++/-
Power input (heating)	Rated (min – max)	kW	0.75 (0.30 – 1.40)	1.0 (0.30 – 1.60)	1.40 (0.52 – 2.5)	2.18 (0.70 – 2.90)
	Annual energy consumption (heating)	kWh	840	980	1610	1963
Operating range (cooling)	Min – Max (out)	°C	-10 ~ 43	-10 ~ 43	-10 ~ 43	-10 ~ 43
Operating range (heating)	Min – Max (out)	°C	-15 ~ 24	-15 ~ 24	-15 ~ 24	-15 ~ 24
Power supply		Ph/V/Hz	1/220-240/50	1/220-240/50	1/220-240/50	1/230/50
Power supply (position)			Outdoor unit			
Indoor unit			JS025-C2	JS035-C2	JS050-C2	JS070-C2
Package dimensions	width/depth/height	mm	820/195/280	820/195/280	1008/225/318	1125/240/335
Dimensions with packaging	width/depth/height	mm	909/279/355	909/279/355	1085/329/403	1206/342/418
Net/gross weight		kg	8.2/10.5	8.2/10.5	11.6/14.4	14/17.5
Airflow (cooling/heating)	Max	m³/h	500	550	900	1200
Sound power level		dB(A)	54	56	57	60
Sound pressure level		dB(A)	37/33/29/19	38/34/29/20	44/40/35/28	47/43/37/30
Moisture removal capacity		10³m³/h	1	1.4	2.0	2.8
Outdoor unit			JZ025-C2	JZ035-C2	JZ050-C2	JZ070-C1
Compressor			HIGHLY	HIGHLY	HIGHLY	HIGHLY
Net dimensions	width/depth/height	mm	700/245/544	700/245/544	800/275/553	890/353/697
Packaging dimensions	width/depth/height	mm	845/320/593	845/320/593	954/409/625	1046/460/780
Net/gross weight		kg	22.8/25.3	23.5/26	32.7/36.5	47.3/52.3
Airflow (cooling/heating)	Max	m³/h	2100	2100	2500	2900
Sound power level		dB(A)	62	63	65	65
Sound pressure level		dB(A)	49	50	53	52
Operating current	Max	A	6.2	7.1	11.3	13
Refrigerant filling	Refrigerant type		R32	R32	R32	R32
	Refrigerant filling	g	510	530	900	1200
Refrigerant piping	Liquid pipe diameter	mm	6.35	6.35	6.35	6.35
	Gas pipe diameter	mm	9.52	9.52	12.7	12.7
	Max pipeline length/Max level difference	m	20/10	20/10	25/15	25/15
	Max pipeline length without additional filling	m	5	5	7	7
	Extra refrigerant per metre of pipeline	g/m	20	20	20	20

SPLIT

ARIA wall-mounted air conditioner

ARIA wall-mounted air conditioners are a perfect solution for allergy sufferers! Appliances are equipped with air ionisers that always generate negative ions during the cooling or heating. Negative ions are generated by the ioniser neutralise the charge of positive ions by causing the contaminants to fall on the floor, while reducing the risk of allergy and various infections. The ioniser also helps neutralising the odours in the room.

TEMPERATURE SETPOINT from 16 to 30°C

Ioniser

The ioniser improves air quality and freshness in the room. Electrical equipment generates positive ions, also referred to as electrosmog, that attract dust and viruses. Negative ions are generated by the ioniser neutralise the charge of positive ions by causing the contaminants to fall on the floor, while reducing the risk of allergy and various infections. The ioniser also helps neutralising the odours in the room.



Wi-Fi control

The Wi-Fi control in standard enables controlling the air conditioner with a telephone connected to the Internet from any place. The comfortable and intuitive Wi-Fi INTELLIGENT AIR app enables access to all basic settings of the air conditioner.



High energy efficiency

Innovative solutions enabled a significant reduction of energy consumption in both cooling and heating mode. The appliances have A+++/A++ energy rating.



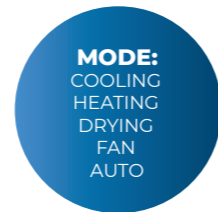
SMART airflow

An innovative solution for airflow control. The stream is directed upwards during the cooling and downwards during the heating, which enables an even distribution of air, thus preventing direct airflow on the user.



Airflow speed control

The option to control airflow shutters vertically and horizontally and right and left enables precise direction of the airflow. The function is available from the wireless controller and the Wi-Fi Intelligent Air app.



Indoor unit			JS025-A1	JS035-A1	JS050-A1
Outdoor unit			JZ025-A1	JZ035-A1	JZ050-A1
Capacity (cooling)	Rated (min – max)	Btu/h	8870 (2730 – 10920)	11940 (3410 – 13650)	17740 (4770 – 20470)
	Rated (min – max)	kW	2.6 (0.8 – 3.2)	3.5 (1.0 – 4.0)	5.2 (1.4 – 6.0)
Energy efficiency	SEER/EER		8.5/4.00	8.5/4.00	7.2/3.68
Energy rating	Cooling		A+++	A+++	A++
Power input (cooling)	Rated (min – max)	kW	0.65 (0.2 – 1.5)	0.88 (0.3 – 1.5)	1.4 (0.5 – 2.0)
Annual energy consumption (cooling)		kWh	107	144	253
Capacity (heating)	Rated (min – max)	Btu/h	10920 (2730 – 14330)	14330 (3410 – 17740)	20470 (4770 – 23540)
	Rated (min – max)	kW	3.2 (0.8 – 4.2)	4.2 (1.0 – 5.2)	6.0 (1.4 – 6.9)
Energy efficiency	SCOP/COP (moderate climate)		4.6/4.0	4.6/3.81	4.6/4.0
	SCOP (warm/cold climate)		5.5/-	5.5/-	5.6/-
Energy rating (heating)	Moderate/warm/cold climate		A++/A+++/-	A++/A+++/-	A++/A+++/-
Power input (heating)	Rated (min – max)	kW	0.8 (0.30 – 1.60)	1.1 (0.50 – 1.60)	1.5 (0.52 – 2.35)
Annual energy consumption (heating)		kWh	731	854	1401
Operating range (cooling)	Min – Max (out)	°C	-20 ~ 43	-20 ~ 43	-20 ~ 43
Operating range (heating)	Min – Max (out)	°C	-20 ~ 24	-20 ~ 24	-20 ~ 24
Power supply		Ph/V/Hz	1/230/50	1/230/50	1/230/50
Power supply (position)				Outdoor unit	
Indoor unit			JS025-A1	JS035-A1	JS050-A1
Package dimensions	width/depth/height	mm	870/196/301	870/196/301	1009/223/327
Dimensions with packaging	width/depth/height	mm	952/283/389	952/283/389	1100/314/420
Net/gross weight		kg	9.5/12	9.5/12	12/15
Airflow (cooling/heating)	Max	m³/h	600	650	900
Sound power level		dB(A)	53	55	57
Sound pressure level		dB(A)	38/32/25/19	39/33/26/20	45/41/37/28
Moisture removal capacity		10³m³/h	1.2	1.6	2.0
Outdoor unit			JZ025-A1	JZ035-A1	JZ050-A1
Compressor			PANASONIC	HIGHLY	MITSUBISHI
Net dimensions	width/depth/height	mm	800/275/553	800/275/553	820/338/614
Packaging dimensions	width/depth/height	mm	954/409/625	954/409/625	993/413/685
Net/gross weight		kg	29/31.5	31.5/34	37.8/41.5
Airflow (cooling/heating)	Max	m³/h	1900	2000	2500
Sound power level		dB(A)	59	61	63
Sound pressure level		dB(A)	47	48	51
Operating current	Max	A	7.2	7.2	10.9
Refrigerant filling	Refrigerant type		R32	R32	R32
	Refrigerant filling	g	650	940	950
Refrigerant piping	Liquid pipe diameter	mm	6.35	6.35	6.35
	Gas pipe diameter	mm	9.52	9.52	12.7
	Max pipeline length/Max level difference	m	20/10	20/10	25/15
	Max pipeline length without additional filling	m	7	7	7
	Extra refrigerant per metre of pipeline	g/m	20	20	20

SPLIT

Cassette air conditioners with 4-way airflow

Heiko cassette air conditioners are a great solution for installation at homes, offices or restaurants. The product range includes appliances with different capacity to suit the size of building area. Depending on the application, cassette indoor units are available with 4-way or circumferential airflow panels. Heiko appliances are discrete, installer-friendly and perfectly match any interior design.

TEMPERATURE SETPOINT from 16 to 30°C

High energy efficiency

Innovative solutions enabled a significant reduction of energy consumption in both cooling and heating mode. The appliances have A++/A energy rating.



SMART airflow

An innovative solution for airflow control. The stream is directed upwards during the cooling and downwards during the heating, which enables an even distribution of air, thus preventing direct airflow on the user.



Airflow speed control

The option to control airflow shutters vertically and horizontally enables precise direction of the airflow. The function is available from the wireless controller.



Quiet operation

The components comprising the air conditioner and the optimum airflow system ensure quiet operation for comfort during work and leisure.



TURBO MODE
ONE-TOUCH
FULL POWER

SLEEP FUNCTION
MAKE YOUR
SLEEP
COMFORTABLE

MODE:
COOLING
HEATING
DRYING
FAN
AUTO



Indoor unit				CA035-A1	CA050-A1	
Outdoor unit				JZ035-A1	JZ050-A1	
Nominal value	Capacity	- Cooling	Btu/h (rated)	12000	17000	
			kW rated (min ~ max)	3.50 (0.9 ~ 4.5)	5.0 (1.8 ~ 5.8)	
		- Heating	Btu/h (rated)	12600	18800	
			kW rated (min - max)	4.0 (1 ~ 4.8)	5.5 (2 ~ 6.5)	
	Power input	- Cooling	kW rated (min ~ max)	1.06 (0.28 ~ 1.8)	1.53 (0.55 ~ 2)	
		- Heating	kW rated (min ~ max)	0.99 (0.28 ~ 1.8)	1.52 (0.6 ~ 2)	
Season value	EER/COP			3.31/3.71	3.26/3.42	
	SEER/SCOP			6.1/3.8	6.1/3.8	
		Energy rating (cooling/heating)		A++/A	A++/A	
		Annual energy consumption (cooling)		kWh	222	363
		Annual energy consumption (heating)		kWh	1427	1932
Indoor unit				CA035-A1	CA050-A1	
Electrical parameters	Power supply	Ph/V/Hz		1/220-240/50/60	1/220-240/50/60	
Performance	Airflow	m³/h		620/520/450	700/620/500	
	Sound power level	dB(A)		52	55	
	Sound pressure level	dB(A)		36/33/30	42/37/35	
Installation	Dimensions without packaging (W/D/H)	mm		570/570/260	570/570/260	
	Dimensions with packaging (W/D/H)	mm		718/680/380	718/680/380	
	Net/gross weight	kg		18.5/22	19/22	
	Controller	wireless option		YR-HRC01	YR-HRC01	
		wired option		YR-C01	YR-C01	
Cover	Model	option		PB-700HE4	PB-700HE4	
	Dimensions (W/D/H)	mm		700/700/60	700/700/60	
	Dimensions with packaging (W/D/H)	mm		740/750/115	740/750/115	
	Net/gross weight	kg		2.8/4.8	2.8/4.8	
Outdoor unit				JZ035-A1	JZ050-A1	
Electrical parameters	Power supply	Ph/V/Hz		1/230/50	1/230/50	
Performance	Airflow (h)	m³/h		2000	2500	
	Sound power level	dB(A)		61	63	
	Sound pressure level	dB(A)		48	51	
Installation	Dimensions without packaging (W/D/H)	mm		800/275/553	820/338/614	
	Dimensions with packaging (W/D/H)	mm		954/409/625	993/413/685	
	Net/gross weight	kg		31.5/34	37.8/41.5	
	Compressor type			Rotary	Twin rotary	
	Refrigerant			R32	R32	
	GWP			675	675	
	Liquid pipe diameter	mm		6.35	6.35	
	Gas pipe diameter	mm		9.52	12.7	
	Total pipeline length (max)	m		15	25	
	Max level difference	m		10	15	
	Refrigerant filling	kg		0.94	0.95	
	Total pipeline length without filling	m		7	7	
	Extra refrigerant per metre of pipeline	g/m		20	20	
Working conditions (out)	Cooling (min - max)	°C		-10 ~ 43	-10 ~ 43	
	Heating (min - max)	°C		-15 ~ 24	-15 ~ 24	



SPLIT

Cassette air conditioners with peripheral airflow

Heiko cassette air conditioners are a great solution for installation at homes, offices or restaurants. The product range includes appliances with different capacity to suit the size of building area. Depending on the application, cassette indoor units are available with 4-way or circumferential airflow panels. Heiko appliances are discrete, installer-friendly and perfectly match any interior design.

TEMPERATURE SETPOINT from 16 to 30°C



Peripheral airflow

With the 360-degree cover, the air is supplied from four sides and corners to ensure efficient airflow in the room.



High energy efficiency

Innovative solutions enabled a significant reduction of energy consumption in both cooling and heating mode. The appliances have A++/A energy rating.



SMART airflow

An innovative solution for airflow control. The stream is directed upwards during the cooling and downwards during the heating, which enables an even distribution of air, thus preventing direct airflow on the user.



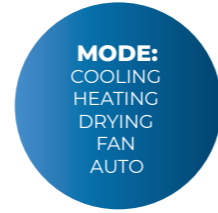
Airflow speed control

The option to control airflow shutters vertically and horizontally enables precise direction of the airflow. The function is available from the wireless controller.



Quiet operation

The components comprising the air conditioner and the optimum airflow system ensure quiet operation for comfort during work and leisure.



Indoor unit				CA070-A1	CA100-A1
Outdoor unit				JZ070-A1	JZ100-A1
Nominal value	Capacity	- Cooling	Btu/h (rated)	22200	31400
			kW rated (min ~ max)	7.1 (2 ~ 7.3)	9.2 (2.5 ~ 10.0)
		- Heating	Btu/h (rated)	24300	34800
			kW rated (min ~ max)	8.0 (2.5 ~ 8)	10.2 (3.0 ~ 10.5)
	Power input	- Cooling	kW rated (min ~ max)	2.20 (0.5 ~ 2.6)	3.12 (0.5 ~ 4.0)
		- Heating	kW rated (min ~ max)	1.91 (0.5 ~ 2.6)	2.91 (0.5 ~ 4.0)
Season value	EER/COP			3.23/3.72	3/3.5
		SEER/SCOP		6.1/3.8	5.9/3.8
	Energy rating (cooling/heating)		A++/A	A+/A	
	Annual energy consumption (cooling)		kWh	406	555
	Annual energy consumption (heating)		kWh	1831	2780
Indoor unit				CA070-A1	CA100-A1
Electrical parameters	Power supply		Ph/V/Hz	1/220-240/50/60	1/220-240/50/60
Performance	Airflow		m³/h	1260/1070/820/680	1680/1530/1320/1190
	Sound power level		dB(A)	55	62
	Sound pressure level		dB(A)	42/40/38/35	45/42/38/34
Installation	Dimensions without packaging (W/D/H)		mm	840/840/204	840/840/246
	Dimensions with packaging (W/D/H)		mm	990/990/310	990/990/310
	Net/gross weight		kg	27/32	31/36
	Controller		wireless option	YR-HRC01	YR-HRC01
			wired option	YR-C01	YR-C01
Cover	Model		option	PB-950HE4	PB-950HE4
	Dimensions (W/D/H)		mm	950/950/50	950/950/50
	Dimensions with packaging (W/D/H)		mm	1000/1000/110	1000/1000/110
	Net/gross weight		kg	6.5/9	6.5/9
Outdoor unit				JZ070-A1	JZ100-A1
Electrical parameters	Power supply		Ph/V/Hz	1/220-240/50/60	1/220-240/50/60
Performance	Airflow (h)		m³/h	3000	3500
	Sound power level		dB(A)	67	66
	Sound pressure level		dB(A)	54	53
Installation	Dimensions without packaging (W/D/H)		mm	890/353/697	920/372/760
	Dimensions with packaging (W/D/H)		mm	1046/460/780	1036/478/820
	Net/gross weight		kg	48/53	60/65
	Compressor type			Twin rotary	Twin rotary
	Refrigerant			R32	R32
	GWP			675	675
	Liquid pipe diameter		mm	9.52	9.52
	Gas pipe diameter		mm	15.88	15.88
	Total pipeline length (max)		m	50	50
	Max level difference		m	30	30
	Refrigerant filling		kg	1.3	1.5
	Total pipeline length without filling		m	10	30
	Extra refrigerant per metre of pipeline		g/m	45	45
Working conditions (out)	Cooling (min - max)		°C	-10 ~ 46	-10 ~ 46
	Heating (min - max)		°C	-15 ~ 24	-15 ~ 24



Mobile air conditioners

Compact appliances in sophisticated style, with 4 operating modes: cooling, heating, drying and air supply. Air conditioners are equipped with wheels and carrying handles for easy handling. The appliances are controlled with a state-of-the-art panel or a wireless controller.

Wireless controller included.



Full control

Filter cleaning notification (icon on the display) after 250 operating hours.



4 operating modes

Comprehensive application of the appliance for cooling, air supply, drying or heating.



Swing function

Shutter swinging for air distribution as needed.



Timer

The air conditioner has the function to set the operation time. The operation of the appliance will start or end at the programmed time.



Indoor unit		AM12HEIA4	
Power supply		Ph/V/Hz	1/220~240V/50 Hz
Cooling	Rated capacity	W	3400
	EER	WAV	2.6
	Rated power input	W	1300
Heating	Rated current	A	5.80
	Rated capacity	W	2700
	COP	WAV	2.7
Maximum power input	Rated power input	W	1000
	Rated current	A	4.60
	Maximum power input	W	1450
Maximum current	A	8.00	
Starting current	A	/	
Plug type		A	16
Compressor	Model	DSM215V2UDZ	
	Type	Rotary	
	Brand	GMCC	
Capacity		Btu/h	10918
	Input	W	985
Internal fan motor	Model	YDK15-6	
	Brand	WELLING	
	Input	W	52.5
Capacitor		µF	1.5
	Speed (high/mid/low)	rpm	630/570/490
Internal airflow	(high/mid/low)	m³/h	390/360/330
Sound power level	(high/mid/low)	dB(A)	64/63.5/63
External fan motor	Model	YDK45-4	
	Brand	WELLING	
	Input	W	119
Capacitor		µF	3.5
	Speed	rpm	1130
External airflow		m³/h	550
Unit dimensions	(WxHxD)	mm	476 x 710 x 385
Packaging dimensions	(WxHxD)	mm	545 x 885 x 435
Net/gross weight		kg	33.5/38.5
Refrigerant			R290

MULTI SPLIT






















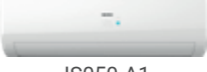









Air conditioners

With this system, you can connect from two to five indoor units to an outdoor unit. With the Heiko Multi Split solution, the air conditioners in the system can be controlled separately, so that a different temperature can be set for each appliance.

The system enables cooling or heating at least two rooms at the same time. The Heiko Multi Split system includes a high-efficiency outdoor unit and from 2 to 5 indoor units in different combinations.

MULTI SPLIT

Models available

Outdoor units			5.0 kW	7.0 kW	10.0 kW	
						
			M2T050-D1 (option to connect up to 2 indoor units)	M3T070-D1 (option to connect up to 3 indoor units)	M5T100-D1 (option to connect up to 5 indoor units)	
Indoor units	Refrigerant	Controller	2.5 kW	3.5 kW	5.0 kW	7.0 kW
C1 wall-mounted units		 YR-HAC01 wireless controller (included)				
D1 wall-mounted units		 YR-HAC01 wireless controller (included)				
D2 wall-mounted units		 YR-HAC01 wireless controller (included)				
BRISA wall-mounted units		 YR-HAC01 wireless controller (included)				
ARIA wall-mounted units		 YR-HAC01 wireless controller (included)				
CASSETTE units with 4-way airflow		 YR-HRC01 wireless controller (optional)				
		 YR-C01 wired controller (optional)				
CASSETTE units with peripheral airflow		 YR-HRC01 wireless controller (optional)				
		 YR-C01 wired controller (optional)				
						CA070-A1

MULTI SPLIT Outdoor units



R32 refrigerant

The R32 refrigerant used in air conditioners makes them far more efficient than the appliances operating on the commonly used R410A refrigerant.



Inverter technology

The inverter technology enables economical operation of the system without sudden spikes in compressor frequency, while ensuring energy-efficient and quiet operation of the appliance.



Automatic defrosting

Efficient operation of the MULTI SPLIT system in the heating mode, under difficult weather conditions, is possible with automatic defrosting of the heat exchanger of the outdoor unit.



DC motor

The high-efficiency DC motor with a compact design ensures energy-efficient operation of the fan of the outdoor unit. The DC motor, compared to conventional AC motors, ensures lower operation noise of the outdoor unit.



Hydrophilic aluminium film

The special coating of heat exchangers prevents corrosion and extends the service life of the appliance.

**ELECTRONIC
EXPANSION
VALVE**

**OPERATION
RANGE
COOLING:
-10 ~ 46°C**

**OPERATION
RANGE
HEATING:
-15 ~ 24°C**

Outdoor unit			M2T050-D1	M3T070-D1	M5T100-D1
Electrical parameters	Power supply	Ph/V/Hz	1/230/50	1/220-240/50/60	1/220-240/50/60
Performance	Airflow	m ³ /h	2400	3000	4200
	Sound power level	dB(A)	63	66	71
	Sound pressure level	dB(A)	53	53	55
Installation	Dimensions without packaging (W/D/H)	mm	800/275/553	890/340/700	920/372/760
	Dimensions with packaging (W/D/H)	mm	954/409/625	998/443/770	1036/478/820
	Net/gross weight	kg	36/39	54/58	66/71
	Compressor type		Twin rotary	Twin rotary	Twin rotary
	Refrigerant		R32	R32	R32
	GWP		675	675	675
	Liquid pipe diameter	mm	2x6.35	3x6.35	5x6.35
	Gas pipe diameter	mm	2x9.52	3x9.52	3 x 9.52 + 2 x 12.7
	Total pipeline length (max)	m	30	60	80
	Max level difference	m	15	25	25
Refrigerant filling	kg	1.4	1.6	2.4	
Total pipeline length without filling	m	20	30	40	
Extra refrigerant per metre of pipeline	g/m	20	20	20	
Working conditions (out)	Cooling (min ~ max)	°C	-10 ~ 46	-10 ~ 46	-10 ~ 46
	Heating (min ~ max)	°C	-15 ~ 24	-15 ~ 24	-15 ~ 24

Outdoor unit			M2T050-D1	M3T070-D1	M5T100-D1
Max number of indoor units per outdoor unit			2	3	5
Indoor units			2*JS035-D2	3*JS026-D2	2*JS026-D2+JS035-D2+JS050-C1
Nominal value	Cooling capacity	kW (rated (min - max))	5 (1.1 ~ 5.7)	6.2	9.5
	Heating capacity	kW (rated (min - max))	5.2 (1.6 ~ 6.1)	6.8	10.0
	Cooling power input	kW (rated (min - max))	1.45 (0.35 ~ 2.55)	1.85	3.4
	Heating power input	kW (rated (min - max))	1.4 (0.55 ~ 2.8)	2.05	2.8
	EER/COP		3.45/3.71	3.3/3.3	2.7/3.2
Season value	SEER/SCOP		6.50/4.00	6.2/3.8	6.2/3.8
	Energy rating (cooling/heating)		A++/A+	A++/A	A++/A
	Annual energy consumption (cooling)	kWh	269	332	537
	Annual energy consumption (heating)	kWh	1645	2012	2889



MULTI SPLIT C1 wall-mounted air conditioners



TEMPERATURE SETPOINT from 16 to 30°C



High energy efficiency

Innovative solutions enabled a significant reduction of energy consumption in both cooling and heating mode. The appliances have A++/A+ energy rating.



Quick and easy installation

The design of the air conditioners and new technological solutions enable trouble-free and efficient installation. Easier access, increased installation space and right- and left-sided connection options reduce the installation time to as little as 40 min.



R32 refrigerant

The R32 refrigerant used in air conditioners makes them far more efficient than the appliances operating on the commonly used R410A refrigerant.



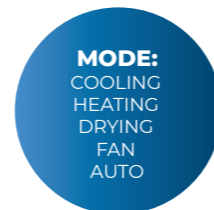
SMART airflow

An innovative solution for airflow control. The stream is directed upwards during the cooling and downwards during the heating, which enables an even distribution of air, thus preventing direct airflow on the user.



Quiet operation

The components comprising the air conditioner and the optimum airflow system ensure quiet operation for comfort during work and leisure.



Indoor unit

JS050-C1

Rated capacity	Cooling	kW	5.0
	Heating	kW	5.2
Electrical parameters	Power supply	Ph/V/Hz	1/230/50
Performance	Airflow	m ³ /h	900
	Sound power level	dB(A)	57
	Sound pressure level	dB(A)	44/40/35/28
Installation	Dimensions without packaging (W/D/H)	mm	1008/225/318
	Dimensions with packaging (W/D/H)	mm	1085/329/403
	Net/gross weight	kg	11.6/14.4
	Liquid pipe diameter	mm	6.35
	Gas pipe diameter	mm	12.7
	Controller	Standard	YR-HAC01

MULTI SPLIT D1 wall-mounted air conditioners



TEMPERATURE SETPOINT from 16 to 30°C



High energy efficiency

Innovative solutions enabled a significant reduction of energy consumption in both cooling and heating mode. The appliances have A++/A+ energy rating.



Quick and easy installation

The design of the air conditioners and new technological solutions enable trouble-free and efficient installation. Easier access, increased installation space and right- and left-sided connection options reduce the installation time to as little as 40 min.



R32 refrigerant

The R32 refrigerant used in air conditioners makes them far more efficient than the appliances operating on the commonly used R410A refrigerant.



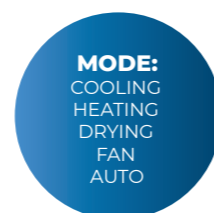
SMART airflow

An innovative solution for airflow control. The stream is directed upwards during the cooling and downwards during the heating, which enables an even distribution of air, thus preventing direct airflow on the user.



Quiet operation

The components comprising the air conditioner and the optimum airflow system ensure quiet operation for comfort during work and leisure.



Indoor unit			JS026-D1	JS035-D1
Rated capacity	Cooling	kW	2.6	3.6
	Heating	kW	2.9	3.7
Electrical parameters	Power supply	Ph/V/Hz	1/230/50	1/230/50
Performance	Airflow	m³/h	500	550
	Sound power level	dB(A)	53	55
	Sound pressure level	dB(A)	37/32/28/20	38/33/29/21
Installation	Dimensions without packaging (W/D/H)	mm	820/195/280	820/195/280
	Dimensions with packaging (W/D/H)	mm	909/279/355	909/279/355
	Net/gross weight	kg	8.4/10.5	8.4/10.5
	Liquid pipe diameter	mm	6.35	6.35
	Gas pipe diameter	mm	9.52	9.52
	Controller	Standard	YR-HAC01	YR-HAC01



MULTI SPLIT D2 wall-mounted air conditioners



TEMPERATURE SETPOINT from 16 to 30°C



Wi-Fi control

The Wi-Fi control in standard enables controlling the air conditioner with a telephone connected to the Internet from any place. The comfortable and intuitive Wi-Fi INTELLIGENT AIR app enables access to all basic settings of the air conditioner.



High energy efficiency

Innovative solutions enabled a significant reduction of energy consumption in both cooling and heating mode. The appliances have A++/A+ energy rating.



R32 refrigerant

The R32 refrigerant used in air conditioners makes them far more efficient than the appliances operating on the commonly used R410A refrigerant.



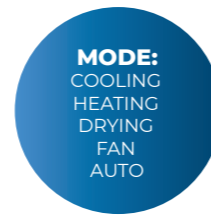
SMART airflow

An innovative solution for airflow control. The stream is directed upwards during the cooling and downwards during the heating, which enables an even distribution of air, thus preventing direct airflow on the user.



Quiet operation

The components comprising the air conditioner and the optimum airflow system ensure quiet operation for comfort during work and leisure.



Indoor unit			JS026-D2	JS035-D2
Rated capacity	Cooling	kW	2.6	3.6
	Heating	kW	2.9	3.7
Electrical parameters	Power supply	Ph/V/Hz	1/230/50	1/230/50
Performance	Airflow	m³/h	500	550
	Sound power level	dB(A)	53	55
	Sound pressure level	dB(A)	37/32/28/20	38/33/29/21
Installation	Dimensions without packaging (W/D/H)	mm	820/195/280	820/195/280
	Dimensions with packaging (W/D/H)	mm	909/279/355	909/279/355
	Net/gross weight	kg	8.4/10.5	8.4/10.5
	Liquid pipe diameter	mm	6.35	6.35
	Gas pipe diameter	mm	9.52	9.52
	Controller	Standard	YR-HAC01	YR-HAC01



MULTI SPLIT BRISA wall-mounted air conditioner



TEMPERATURE SETPOINT from 16 to 30°C



Wi-Fi control

The Wi-Fi control in standard enables controlling the air conditioner with a telephone connected to the Internet from any place. The comfortable and intuitive Wi-Fi INTELLIGENT AIR app enables access to all basic settings of the air conditioner.



High energy efficiency

Innovative solutions enabled a significant reduction of energy consumption in both cooling and heating mode. The appliances have A++/A+ energy rating.



SMART airflow

An innovative solution for airflow control. The stream is directed upwards during the cooling and downwards during the heating, which enables an even distribution of air, thus preventing direct airflow on the user.



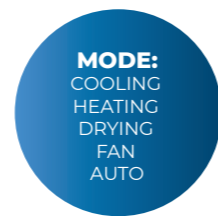
Airflow speed control

The option to control airflow shutters vertically and horizontally enables precise direction of the airflow. The function is available from the wireless controller and the Intelligent Air app.



Quiet operation

The components comprising the air conditioner and the optimum airflow system ensure quiet operation for comfort during work and leisure.



Indoor unit		JS050-C2	
Rated capacity	Cooling	kW	5.0
	Heating	kW	5.2
Electrical parameters	Power supply	Ph/V/Hz	1/220-240/50
Performance	Airflow	m³/h	900
	Sound power level	dB(A)	57
	Sound pressure level	dB(A)	44/40/35/28
Installation	Dimensions without packaging (W/D/H)	mm	1008/225/318
	Dimensions with packaging (W/D/H)	mm	1085/329/403
	Net/gross weight	kg	11.6/14.4
	Liquid pipe diameter	mm	6.35
	Gas pipe diameter	mm	12.7
	Controller	Standard	YR-HAC01



MULTI SPLIT ARIA wall-mounted air conditioner



TEMPERATURE SETPOINT from 16 to 30°C



Ioniser

The ioniser improves air quality and freshness in the room. Electrical equipment generates positive ions, also referred to as electrosmog, that attract dust and viruses. Negative ions are generated by the ioniser neutralise the charge of positive ions by causing the contaminants to fall on the floor, while reducing the risk of allergy and various infections. The ioniser also helps neutralising the odours in the room.



Wi-Fi control

The Wi-Fi control in standard enables controlling the air conditioner with a telephone connected to the Internet from any place. The comfortable and intuitive Wi-Fi INTELLIGENT AIR app enables access to all basic settings of the air conditioner.



High energy efficiency

Innovative solutions enabled a significant reduction of energy consumption in both cooling and heating mode. The appliances have A+++/A++ energy rating.



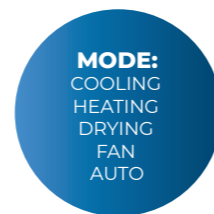
SMART airflow

An innovative solution for airflow control. The stream is directed upwards during the cooling and downwards during the heating, which enables an even distribution of air, thus preventing direct airflow on the user.



Airflow speed control

The option to control airflow shutters vertically and horizontally and right and left enables precise direction of the airflow. The function is available from the wireless controller and the Intelligent Air app.

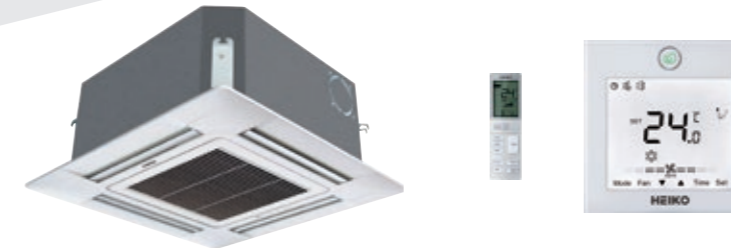


Indoor unit			JS025-A1	JS035-A1	JS050-A1
Rated capacity	Cooling	kW	2.6	3.5	5.2
	Heating	kW	3.2	4.2	6.0
Electrical parameters	Power supply	Ph/V/Hz	1/230/50	1/230/50	1/230/50
Performance	Airflow	m³/h	600	650	900
	Sound power level	dB(A)	53	55	57
	Sound pressure level	dB(A)	38/32/25/19	39/33/26/20	45/41/37/28
Installation	Dimensions without packaging (W/D/H)	mm	870/196/301	870/196/301	1009/223/327
	Dimensions with packaging (W/D/H)	mm	952/283/389	952/283/389	1100/314/420
	Net/gross weight	kg	9.5/12	9.5/12	12/15
	Liquid pipe diameter	mm	6.35	6.35	6.35
	Gas pipe diameter	mm	9.52	9.52	12.7
	Controller	Standard	YR-HAC01	YR-HAC01	YR-HAC01

MULTI SPLIT

Cassette air conditioners

with 4-way airflow



TEMPERATURE SETPOINT from 16 to 30°C



High energy efficiency

Innovative solutions enabled a significant reduction of energy consumption in both cooling and heating mode. The appliances have A++/A energy rating.



SMART airflow

An innovative solution for airflow control. The stream is directed upwards during the cooling and downwards during the heating, which enables an even distribution of air, thus preventing direct airflow on the user.



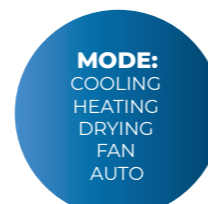
Airflow speed control

The option to control airflow shutters vertically and horizontally enables precise direction of the airflow. The function is available from the wireless controller.



Quiet operation

The components comprising the air conditioner and the optimum airflow system ensure quiet operation for comfort during work and leisure.



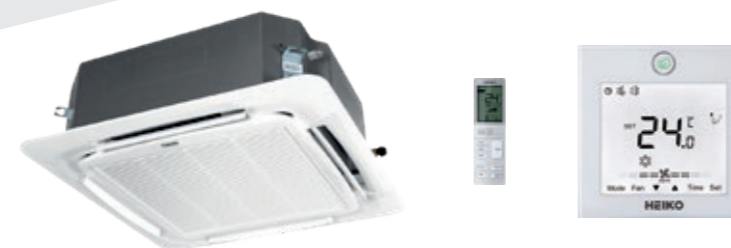
Indoor unit			CA035-A1	CA050-A1
Rated capacity	Cooling	kW	3.5	5
	Heating	kW	4.0	5.5
Electrical parameters	Power supply	Ph/V/Hz	1/220-240/50/60	1/220-240/50/60
	Performance	Airflow	m³/h	620/520/420/350
	Sound power level	dB(A)	52	57
	Sound pressure level	dB(A)	35/32/30/28	42/37/35/31
Installation	Dimensions without packaging (W/D/H)	mm	570/570/260	570/570/260
	Dimensions with packaging (W/D/H)	mm	718/680/380	718/680/380
	Net/gross weight	kg	18.5/22	18.5/22
	Liquid pipe diameter	mm	6.35	6.35
	Gas pipe diameter	mm	9.52	12.7
Controller	Wireless option		YR-HRC01	YR-HRC01
	Wired option		YR-C01	YR-C01
Cover	Type	Option	PB-700HE4	PB-700HE4
	Dimensions without packaging (W/D/H)	mm	700/700/60	700/700/60
	Dimensions with packaging (W/D/H)	mm	740/750/115	740/750/115
	Net/gross weight	kg	2.8/4.8	2.8/4.8



MULTI SPLIT

Cassette air conditioners

with peripheral airflow



TEMPERATURE SETPOINT from 16 to 30°C



Peripheral airflow

With the 360-degree cover, the air is supplied from four sides and corners to ensure efficient airflow in the room.



High energy efficiency

Innovative solutions enabled a significant reduction of energy consumption in both cooling and heating mode. The appliances have A++/A energy rating.



SMART airflow

An innovative solution for airflow control. The stream is directed upwards during the cooling and downwards during the heating, which enables an even distribution of air, thus preventing direct airflow on the user.



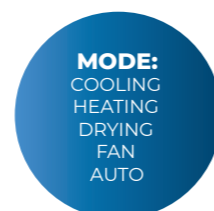
Airflow speed control

The option to control airflow shutters vertically and horizontally enables precise direction of the airflow. The function is available from the wireless controller.



Quiet operation

The components comprising the air conditioner and the optimum airflow system ensure quiet operation for comfort during work and leisure.



Indoor unit		CA070-A1	
Rated capacity	Cooling	kW	7.1
	Heating	kW	8
Electrical parameters	Power supply	Ph/V/Hz	1/220-240/50/60
Performance	Airflow	m³/h	1260/1070/820/680
	Sound power level	dB(A)	55
	Sound pressure level	dB(A)	36/33/29/26
Installation	Dimensions without packaging (W/D/H)	mm	840/840/204
	Dimensions with packaging (W/D/H)	mm	990/990/310
	Net/gross weight	kg	27/31
	Liquid pipe diameter	mm	9.52
	Gas pipe diameter	mm	15.88
Controller	Wireless option		YR-HRC01
	Wired option		YR-C01
Cover	Type	Option	PB-950HE4
	Dimensions without packaging (W/D/H)	mm	950/950/50
	Dimensions with packaging (W/D/H)	mm	1000/1000/110
	Net/gross weight	kg	6.5/9



M2T050-D1

COOLING																			
Comb.	Combinations			Rated capacity (kW)			Total cooling capacity (kW)			Power input (kW)			Total current (A) at 230 V			EER	Energy rating	SEER (W/W) Rated cap.	Energy rating
	Unit A	Unit B	Unit C	Unit A	Unit B	Unit C	Min data	Rated data	Max data	Min data	Rated data	Max data	Min data	Rated data	Max data				
1:2	2.5	2.5	---	2.50	2.50	---	1.10	5.00	5.60	0.35	1.43	2.51	1.6	6.3	11.3	3.50	A	6.50	A++
	2.5	3.5	---	2.20	2.80	---	1.10	5.00	5.60	0.35	1.39	2.52	1.6	6.2	11.3	3.60	A	6.50	A++

HEATING																			
Comb.	Combinations			Rated capacity (kW)			Total heating capacity (kW)			Power input (kW)			Total current (A) at 230 V			COP	Energy rating	SCOP (W/W) Rated cap.	Energy rating
	Unit A	Unit B	Unit C	Unit A	Unit B	Unit C	Min data	Rated data	Max data	Min data	Rated data	Max data	Min data	Rated data	Max data				
1:2	2.5	2.5	---	2.60	2.60	---	1.40	5.20	6.00	0.52	1.40	2.76	2.3	6.9	12.4	3.71	A	4.00	A+
	2.5	3.5	---	2.50	2.70	---	1.50	5.20	6.10	0.53	1.40	2.77	2.4	6.9	12.4	3.71	A	4.00	A+

M3T070-D1

COOLING																			
Comb.	Combinations			Rated capacity (kW)			Total cooling capacity (kW)			Power input (kW)			Total current (A) at 230 V			EER (W/W) Rated cap.	Energy rating	SEER (W/W)	Energy rating
	Unit A	Unit B	Unit C	Unit A	Unit B	Unit C	Min data	Rated data	Max data	Min data	Rated data	Max data	Min data	Rated data	Max data				
1:1	2.5	---	---	2.60	---	---	0.80	2.60	3.90	0.55	0.79	1.34	2.44	3.50	5.9	---	---	---	---
	3.5	---	---	3.60	---	---	1.00	3.60	5.30	0.55	1.09	1.65	2.44	4.84	7.3	---	---	---	---
	5.0	---	---	5.20	---	---	1.40	5.20	7.00	0.55	1.55	2.00	2.44	6.88	8.9	---	---	---	---
	7.0	---	---	6.50	---	---	1.50	6.50	7.40	0.55	1.92	2.60	2.44	8.52	11.5	---	---	---	---
1:2	2.5	2.5	---	2.60	2.60	---	2.00	5.20	7.40	0.55	1.52	2.68	2.44	6.74	11.9	3.42	A	6.70	A++
	2.5	3.5	---	2.60	3.60	---	2.00	6.20	7.60	0.55	1.79	2.99	2.44	7.94	13.3	3.46	A	6.70	A++
	2.5	5.0	---	2.33	4.67	---	2.40	7.00	7.60	0.55	2.00	3.00	2.44	8.87	13.3	3.50	A	6.70	A++
	3.5	3.5	---	3.40	3.40	---	2.40	6.80	7.60	0.55	2.00	3.20	2.44	8.87	14.2	3.40	A	6.20	A++
1:3	2.5	5.0	---	2.86	4.14	---	2.40	7.00	7.60	0.55	1.82	3.20	2.44	8.07	14.2	3.85	A	6.80	A++
	2.5	2.5	2.5	2.33	2.33	2.33	2.40	7.00	7.60	0.55	1.76	2.70	2.44	7.81	12.0	3.98	A	7.50	A++
	2.5	2.5	3.5	2.07	2.07	2.86	2.40	7.00	7.60	0.55	1.78	2.70	2.44	7.90	12.0	3.93	A	7.50	A++
	2.5	3.5	3.5	1.86	2.57	2.57	2.40	7.00	7.60	0.55	1.78	2.70	2.44	7.90	12.0	3.93	A	7.50	A++

HEATING																			
Comb.	Combinations			Rated capacity (kW)			Total heating capacity (kW)			Power input (kW)			Total current (A) at 230 V			COP (W/W) Rated cap.	Energy rating	SCOP (W/W)	Energy rating
	Unit A	Unit B	Unit C	Unit A	Unit B	Unit C	Min data	Rated data	Max data	Min data	Rated data	Max data	Min data	Rated data	Max data				
1:1	2.5	---	---	3.60	---	---	0.80	3.60	6.00	0.55	0.98	1.50	2.44	4.35	6.65	---	---	---	---
	3.5	---	---	4.50	---	---	1.00	4.50	6.00	0.55	1.22	1.65	2.44	5.41	7.32	---	---	---	---
	5.0	---	---	6.00	---	---	1.50	6.00	8.00	0.55	1.60	2.00	2.44	7.10	8.87	---	---	---	---
	7.0	---	---	7.00	---	---	1.50	7.00	8.60	0.55	1.84	2.20	2.44	8.16	9.76	---	---	---	---
1:2	2.5	2.5	---	3.60	3.60	---	2.90	7.20	8.50	0.55	1.93	2.10	2.44	8.56	9.32	3.73	A	3.90	A
	2.5	3.5	---	3.38	4.22	---	2.90	7.60	8.50	0.55	2.05	2.10	2.44	9.09	9.32	3.71	A	3.90	A
	2.5	5.0	---	2.85	4.75	---	2.90	7.60	8.50	0.55	2.05	2.10	2.44	9.09	9.32	3.71	A	3.95	A
	3.5	3.5	---	3.75	3.75	---	2.90	7.50	8.50	0.55	1.93	2.20	2.44	8.54	9.76	3.90	A	3.80	A
1:3	3.5	5.0	---	3.26	4.34	---	2.90	7.60	8.50	0.55	2.00	2.20	2.44	8.87	9.76	3.80	A	4.00	A+
	2.5	2.5	2.5	2.53	2.53	2.53	2.90	7.60	8.50	0.55	1.81	2.30	2.44	8.03	10.20	4.20	A	4.20	A+
	2.5	2.5	3.5	2.34	2.34	2.92	2.90	7.60	8.50	0.55	1.84	2.30	2.44	8.16	10.20	4.13	A	4.20	A+
	2.5	3.5	3.5	2.17	2.71	2.71	2.90	7.60	8.50	0.55	1.84	2.30	2.44	8.16	10.20	4.13	A	4.20	A+

MULTI SPLIT Combinations

M5T100-D1

COOLING																							
Comb.	Combinations					Rated capacity (kW)					Total cooling capacity (kW)			Power input (kW)			Total current (A) at 230 V			EER (W/W)	Energy rating	SEER (W/W)	Energy rating
	Unit A	Unit B	Unit C	Unit D	Unit E	Unit A	Unit B	Unit C	Unit D	Unit E	Min data	Rated data	Max data	Min data	Rated data	Max data	Min data	Rated data	Max data	Rated cap.			
1:1	2.5	—	—	—	—	2.60	—	—	—	—	0.80	2.60	3.90	0.55	0.98	1.34	2.44	4.35	5.93	—	—	—	—
	3.5	—	—	—	—	3.60	—	—	—	—	1.00	3.60	5.30	0.55	1.35	1.50	2.44	5.99	6.65	—	—	—	—
	5.0	—	—	—	—	5.20	—	—	—	—	1.40	5.20	7.00	0.55	1.86	1.90	2.44	8.25	8.43	—	—	—	—
	7.0	—	—	—	—	6.50	—	—	—	—	1.50	6.50	7.40	0.55	2.25	3.00	2.44	9.98	13.31	—	—	—	—
1:2	2.5	2.5	—	—	—	2.60	2.60	—	—	—	2.50	5.20	7.80	0.55	1.90	3.60	2.44	8.43	15.97	2.74	D	6.20	A++
	2.5	3.5	—	—	—	2.60	3.60	—	—	—	2.50	6.20	9.10	0.55	2.24	3.60	2.44	9.94	15.97	2.77	D	6.20	A++
	2.5	5.0	—	—	—	2.60	5.20	—	—	—	2.50	7.80	9.30	0.55	2.79	3.60	2.44	12.38	15.97	2.80	D	6.20	A++
	2.5	7.0	—	—	—	2.60	6.50	—	—	—	2.50	9.10	9.30	0.55	3.17	3.60	2.44	14.06	15.97	2.87	C	6.20	A++
	3.5	3.5	—	—	—	3.60	3.60	—	—	—	2.50	7.20	9.30	0.55	2.58	3.60	2.44	11.45	15.97	2.79	D	6.20	A++
	3.5	5.0	—	—	—	3.60	5.20	—	—	—	2.50	8.80	10.00	0.55	3.10	3.60	2.44	13.75	15.97	2.84	C	6.20	A++
	3.5	7.0	—	—	—	3.56	6.44	—	—	—	2.50	10.00	11.00	0.55	3.48	3.60	2.44	15.44	15.97	2.87	C	6.20	A++
	5.0	5.0	—	—	—	5.00	5.00	—	—	—	2.50	10.00	11.00	0.55	3.50	3.60	2.44	15.53	15.97	2.86	C	6.20	A++
1:3	5.0	7.0	—	—	—	4.44	5.56	—	—	—	2.50	9.00	11.00	0.55	3.50	3.60	2.44	15.53	15.97	2.57	E	6.20	A++
	7.0	7.0	—	—	—	5.00	5.00	—	—	—	2.50	10.00	11.00	0.55	3.45	3.60	2.44	15.31	15.97	2.90	C	6.20	A++
	2.5	2.5	2.5	—	—	2.60	2.60	2.60	—	—	3.20	7.80	9.50	0.55	2.78	3.80	2.44	12.33	16.86	2.81	C	6.72	A++
	2.5	2.5	3.5	—	—	2.60	2.60	3.60	—	—	3.20	8.80	10.00	0.55	3.14	3.80	2.44	13.93	16.86	2.80	C	6.72	A++
	2.5	2.5	5.0	—	—	2.50	2.50	5.00	—	—	3.20	10.00	11.00	0.55	3.50	4.10	2.44	15.53	18.19	2.86	C	6.74	A++
	2.5	2.5	7.0	—	—	2.22	2.22	5.56	—	—	3.20	10.00	11.00	0.55	3.50	4.10	2.44	15.53	18.19	2.86	C	6.70	A++
	2.5	3.5	3.5	—	—	2.60	3.60	3.60	—	—	3.20	9.80	11.00	0.55	3.45	3.80	2.44	15.31	16.86	2.84	C	6.73	A++
	2.5	3.5	5.0	—	—	2.28	3.16	4.56	—	—	3.20	10.00	11.00	0.55	3.50	4.10	2.44	15.53	18.19	2.86	C	6.70	A++
	2.5	3.5	7.0	—	—	2.05	2.83	5.12	—	—	3.20	10.00	11.00	0.55	3.50	4.10	2.44	15.53	18.19	2.86	C	6.70	A++
	2.5	5.0	5.0	—	—	2.00	4.00	4.00	—	—	3.20	10.00	11.00	0.55	3.50	4.10	2.44	15.53	18.19	2.86	C	6.70	A++
	3.5	3.5	3.5	—	—	3.33	3.33	3.33	—	—	3.20	10.00	11.00	0.55	3.50	4.10	2.44	15.53	18.19	2.86	C	6.75	A++
	3.5	3.5	5.0	—	—	2.90	2.90	4.19	—	—	3.20	10.00	11.00	0.55	3.45	4.10	2.44	15.31	18.19	2.90	C	6.70	A++
1:4	3.5	5.0	5.0	—	—	2.57	3.71	3.71	—	—	3.20	10.00	11.00	0.55	3.45	4.10	2.44	15.31	18.19	2.90	C	6.75	A++
	2.5	2.5	2.5	2.5	—	2.50	2.50	2.50	2.50	—	3.20	10.00	11.00	0.55	3.36	4.10	2.44	14.91	18.19	2.98	C	6.90	A++
	2.5	2.5	2.5	3.5	—	2.28	2.28	2.28	3.16	—	3.20	10.00	11.00	0.55	3.36	4.10	2.44	14.91	18.19	2.98	C	6.90	A++
	2.5	2.5	2.5	5.0	—	2.00	2.00	2.00	4.00	—	3.20	10.00	11.00	0.55	3.36	4.10	2.44	14.91	18.19	2.98	C	6.90	A++
	2.5	2.5	2.5	7.0	—	1.82	1.82	1.82	4.55	—	3.20	10.00	11.00	0.55	3.36	4.10	2.44	14.91	18.19	2.98	C	6.90	A++
	2.5	2.5	3.5	3.5	—	2.10	2.10	2.90	2.90	—	3.20	10.00	11.00	0.55	3.36	4.10	2.44	14.91	18.19	2.98	C	6.90	A++
	2.5	2.5	3.5	5.0	—	1.86	1.86	2.57	3.71	—	3.20	10.00	11.00	0.55	3.33	4.10	2.44	14.77	18.19	3.00	B	7.00	A++
	2.5	3.5	3.5	3.5	—	1.94	2.69	2.69	2.69	—	3.20	10.00	11.00	0.55	3.33	4.10	2.44	14.77	18.19	3.00	B	7.00	A++
1:5	2.5	3.5	3.5	5.0	—	1.73	2.40	2.40	3.47	—	3.20	10.00	11.00	0.55	3.33	4.10	2.44	14.77	18.19	3.00	B	7.00	A++
	3.5	3.5	3.5	3.5	—	2.50	2.50	2.50	2.50	—	3.20	10.00	11.00	0.55	3.33	4.10	2.44	14.77	18.19	3.00	B	7.00	A++
	2.5	2.5	2.5	2.5	2.5	2.00	2.00	2.00	2.00	2.00	3.20	10.00	11.00	0.55	3.33	4.10	2.44	14.77	18.19	3.00	B	7.00	A++
	2.5	2.5	2.5	2.5	3.5	1.86	1.86	1.86	1.86	2.57	3.20	10.00	11.00	0.55	3.33	4.10	2.44	14.77	18.19	3.00	B	7.00	A++
	2.5	2.5	2.5	2.5	5.0	1.67	1.67	1.67	1.67	3.33	3.20	10.00	11.00	0.55	3.33	4.10	2.44	14.77	18.19	3.00	B	7.00	A++
2.5	2.5	2.5	3.5	3.5	1.73	1.73	1.73	2.40	2.40	3.20	10.00	11.00	0.55	3.33	4.10	2.44	14.77	18.19	3.00	B	7.00	A++	

MULTI SPLIT Combinations

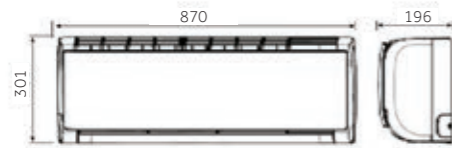
M5T100-DI

HEATING																							
Comb.	Combinations					Rated capacity (kW)					Total heating capacity (kW)			Power input (kW)			Total current (A) at 230 V			COP (W/W)	Energy rating	SCOP (W/W)	Energy rating
	Unit A	Unit B	Unit C	Unit D	Unit E	Unit A	Unit B	Unit C	Unit D	Unit E	Min data	Rated data	Max data	Min data	Rated data	Max data	Min data	Rated data	Max data	Rated cap.			
1:1	2.5	—	—	—	—	3.60	—	—	—	—	0.80	3.60	6.00	0.55	1.03	1.40	2.44	4.57	6.21	—	—	—	
	3.5	—	—	—	—	4.50	—	—	—	—	1.00	4.50	6.00	0.55	1.27	1.50	2.44	5.63	6.65	—	—	—	
	5.0	—	—	—	—	6.00	—	—	—	—	1.50	6.00	8.00	0.55	1.65	2.60	2.44	7.32	11.54	—	—	—	
	7.0	—	—	—	—	7.00	—	—	—	—	1.50	7.00	8.60	0.55	1.90	2.60	2.44	8.43	11.54	—	—	—	
1:2	2.5	2.5	—	—	—	3.60	3.60	—	—	—	3.40	7.20	10.50	0.55	2.02	3.30	2.44	8.96	14.64	3.56	B	3.85	A
	2.5	3.5	—	—	—	3.60	4.50	—	—	—	3.80	8.10	10.50	0.55	2.26	3.30	2.44	10.03	14.64	3.58	B	3.83	A
	2.5	5.0	—	—	—	3.60	6.00	—	—	—	4.40	9.60	10.50	0.55	2.64	3.30	2.44	11.71	14.64	3.64	A	3.85	A
	2.5	7.0	—	—	—	3.57	6.93	—	—	—	4.40	10.50	11.00	0.55	2.85	3.30	2.44	12.64	14.64	3.68	A	3.84	A
	3.5	3.5	—	—	—	4.50	4.50	—	—	—	4.00	9.00	10.50	0.55	2.50	3.30	2.44	11.09	14.64	3.60	B	3.86	A
	3.5	5.0	—	—	—	4.50	6.00	—	—	—	4.40	10.50	11.50	0.55	2.88	3.30	2.44	12.78	14.64	3.65	A	3.80	A
	3.5	7.0	—	—	—	4.11	6.39	—	—	—	4.40	10.50	11.50	0.55	2.88	3.30	2.44	12.78	14.64	3.65	A	3.84	A
	5.0	5.0	—	—	—	5.25	5.25	—	—	—	4.40	10.50	11.50	0.55	2.91	3.30	2.44	12.91	14.64	3.61	A	3.80	A
1:3	5.0	7.0	—	—	—	4.85	5.65	—	—	—	4.40	9.50	11.50	0.55	2.88	3.30	2.44	12.78	14.64	3.30	C	3.87	A
	7.0	7.0	—	—	—	5.25	5.25	—	—	—	4.40	10.50	11.50	0.55	2.88	3.30	2.44	12.78	14.64	3.65	A	3.85	A
	2.5	2.5	2.5	—	—	3.50	3.50	3.50	—	—	4.40	10.50	11.50	0.55	2.85	3.40	2.44	12.64	15.08	3.68	A	3.87	A
	2.5	2.5	3.5	—	—	3.23	3.23	4.04	—	—	4.40	10.50	11.50	0.55	2.85	3.40	2.44	12.64	15.08	3.68	A	3.87	A
	2.5	2.5	5.0	—	—	2.86	2.86	4.77	—	—	4.40	10.50	11.50	0.55	2.85	3.40	2.44	12.64	15.08	3.68	A	3.87	A
	2.5	2.5	7.0	—	—	2.66	2.66	5.18	—	—	4.40	10.50	11.50	0.55	2.85	3.40	2.44	12.64	15.08	3.68	A	3.90	A
	2.5	3.5	3.5	—	—	3.00	3.75	3.75	—	—	4.40	10.50	11.50	0.55	2.85	3.40	2.44	12.64	15.08	3.68	A	3.85	A
	2.5	3.5	5.0	—	—	2.68	3.35	4.47	—	—	4.40	10.50	11.50	0.55	2.85	3.40	2.44	12.64	15.08	3.68	A	3.85	A
	2.5	3.5	7.0	—	—	2.50	3.13	4.87	—	—	4.40	10.50	11.50	0.55	2.85	3.40	2.44	12.64	15.08	3.68	A	3.85	A
	2.5	5.0	5.0	—	—	2.42	4.04	4.04	—	—	4.40	10.50	11.50	0.55	2.85	3.40	2.44	12.64	15.08	3.68	A	3.85	A
1:4	3.5	3.5	3.5	—	—	3.50	3.50	3.50	—	—	4.40	10.50	11.50	0.55	2.85	3.40	2.44	12.64	15.08	3.68	A	3.90	A
	3.5	3.5	5.0	—	—	3.15	3.15	4.20	—	—	4.40	10.50	11.50	0.55	2.83	3.40	2.44	12.56	15.08	3.71	A	3.90	A
	3.5	5.0	5.0	—	—	2.86	3.82	3.82	—	—	4.40	10.50	11.50	0.55	2.83	3.40	2.44	12.56	15.08	3.71	A	3.90	A
	2.5	2.5	2.5	2.5	—	2.63	2.63	2.63	2.63	—	4.40	10.50	11.50	0.55	2.76	3.40	2.44	12.24	15.08	3.80	A	4.00	A+
	2.5	2.5	2.5	3.5	—	2.47	2.47	2.47	3.09	—	4.40	10.50	11.50	0.55	2.76	3.40	2.44	12.24	15.08	3.80	A	4.00	A+
	2.5	2.5	2.5	5.0	—	2.25	2.25	2.25	3.75	—	4.40	10.50	11.50	0.55	2.76	3.40	2.44	12.24	15.08	3.80	A	4.00	A+
	2.5	2.5	2.5	7.0	—	2.12	2.12	2.12	4.13	—	4.40	10.50	11.50	0.55	2.76	3.40	2.44	12.24	15.08	3.80	A	4.00	A+
	2.5	2.5	3.5	3.5	—	2.33	2.33	2.92	2.92	—	4.40	10.50	11.50	0.55	2.76	3.40	2.44	12.24	15.08	3.80	A	4.00	A+
	2.5	2.5	3.5	5.0	—	2.14	2.14	2.67	3.56	—	4.40	10.50	11.50	0.55	2.76	3.40	2.44	12.24	15.08	3.80	A	4.00	A+
	2.5	3.5	3.5	3.5	—	2.21	2.76	2.76	2.76	—	4.40	10.50	11.50	0.55	2.76	3.40	2.44	12.24	15.08	3.80	A	4.00	A+
1:5	2.5	3.5	3.5	5.0	—	2.03	2.54	2.54	3.39	—	4.40	10.50	11.50	0.55	2.76	3.40	2.44	12.24	15.08	3.80	A	4.00	A+
	3.5	3.5	3.5	3.5	—	2.63	2.63	2.63	2.63	—	4.40	10.50	11.50	0.55	2.76	3.40	2.44	12.24	15.08	3.80	A	4.00	A+
	2.5	2.5	2.5	2.5	2.5	2.10	2.10	2.10	2.10	2.10	4.40	10.50	11.50	0.55	2.76	3.40	2.44	12.24	15.08	3.80	A	4.00	A+
	2.5	2.5	2.5	2.5	3.5	2.00	2.00	2.00	2.00	2.50	4.40	10.50	11.50	0.55	2.76	3.40	2.44	12.24	15.08	3.80	A	4.00	A+
	2.5	2.5	2.5	2.5	5.0	1.85	1.85	1.85	1.85	3.09	4.40	10.50	11.50	0.55	2.76	3.40	2.44	12.24	15.08	3.80	A	4.00	A+
2.5	2.5	2.5	3.5	3.5	1.91	1.91	1.91	2.39	2.39	4.40	10.50	11.50	0.55	2.76	3.40	2.44	12.24	15.08	3.80	A	4.00	A+	

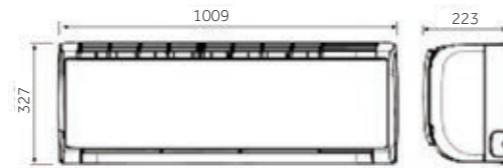
HEIKO Dimensions

Wall-mounted air conditioners

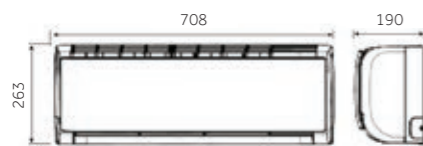
JS025-A1, JS035-A1



JS050-A1



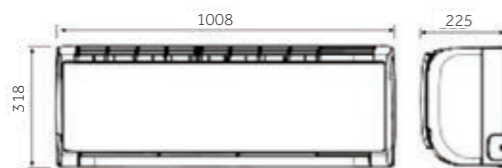
JS025-C1



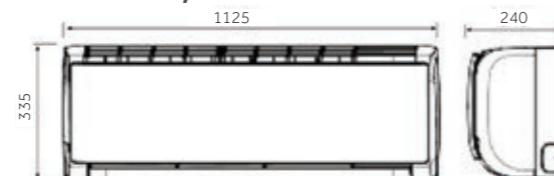
**JS035-C1, JS026-D2, JS035-D2,
JS025-C2, JS035-C2, JS026-D1,
JS035-D1**



JS050-C1, JS050-C2

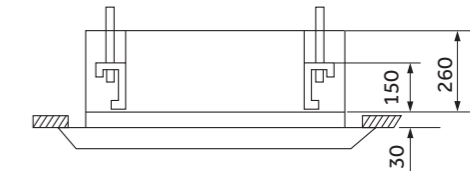
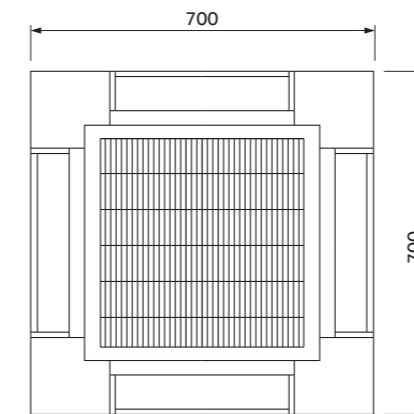


JS070-C1, JS070-C2

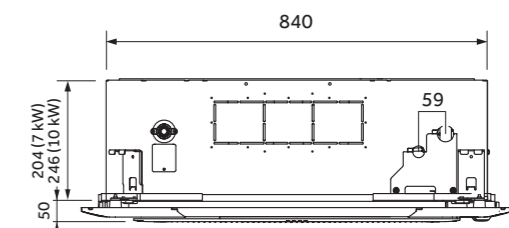
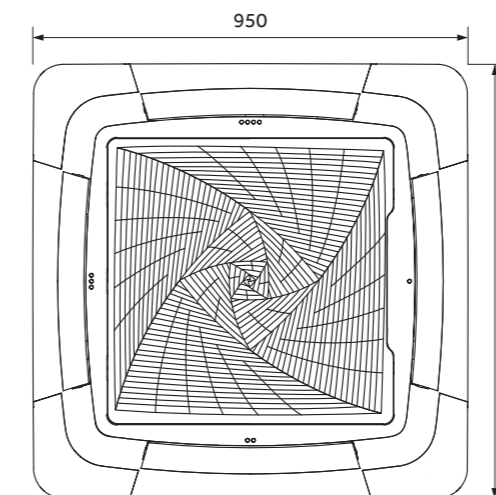


Cassette air conditioners

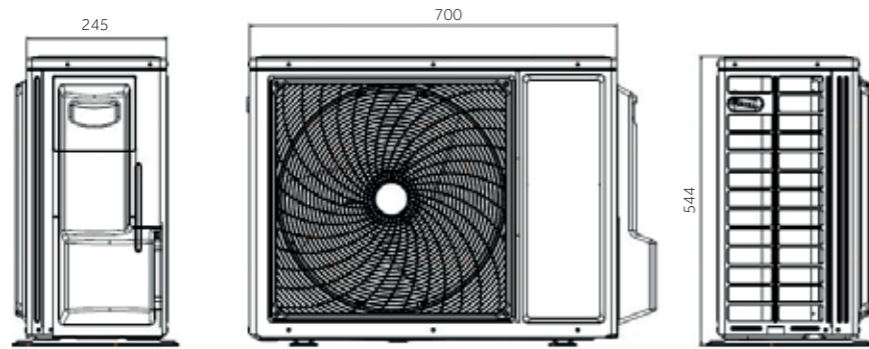
CA035-A1, CA050-A1



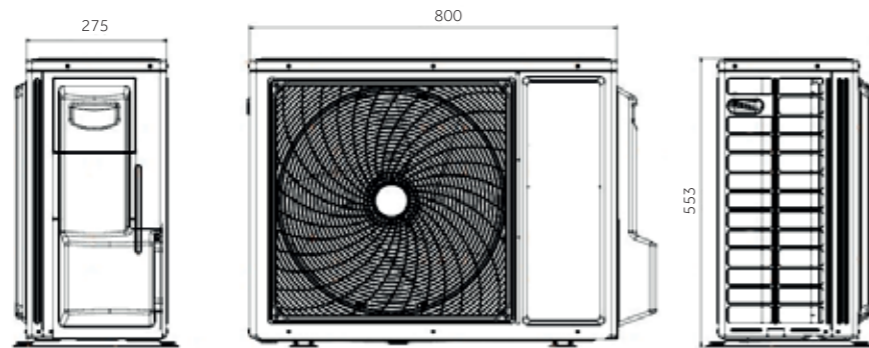
CA070-A1, CA100-A1



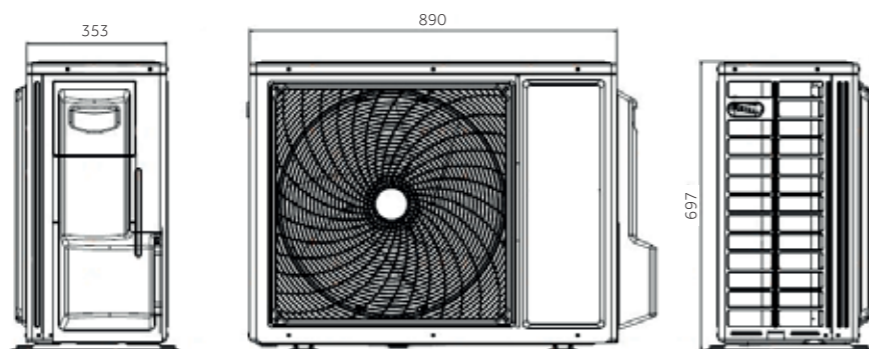
JZ025-C1, JZ035-C1, JZ025-C2, JZ035-C2



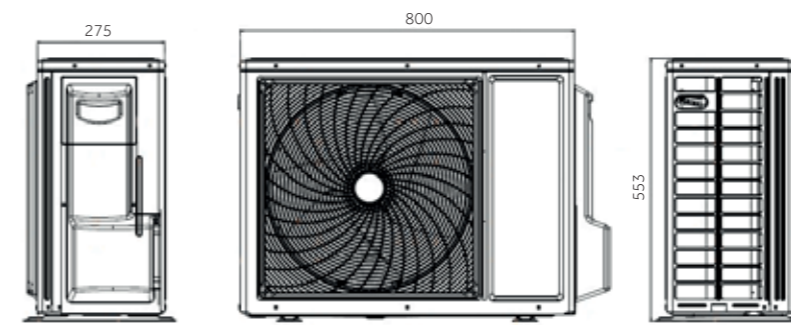
JZ050-C1



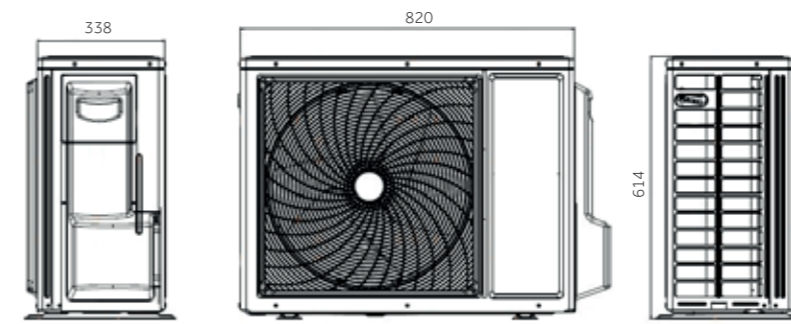
JZ070-C1



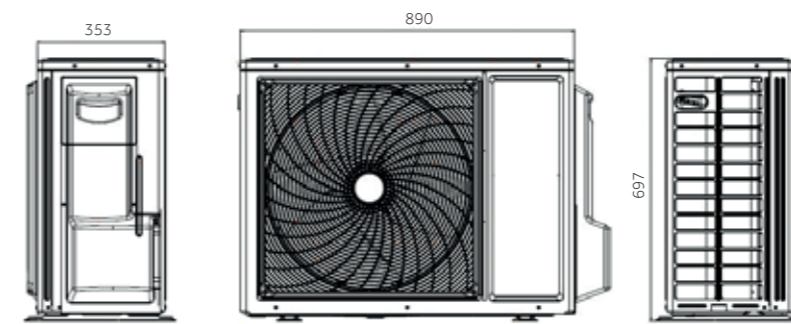
JZ035-A1, JZ025-A1 JZ050-C2



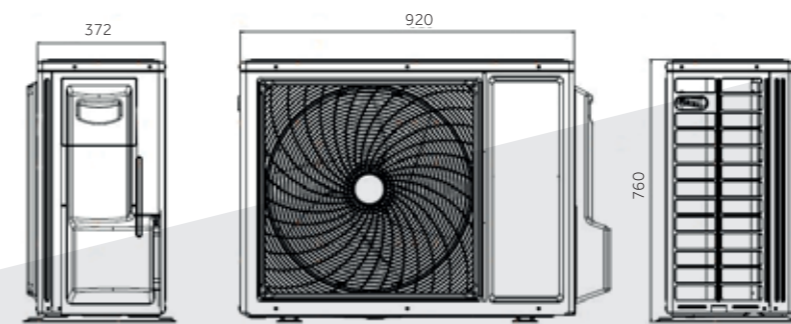
JZ050-A1



JZ070-A1

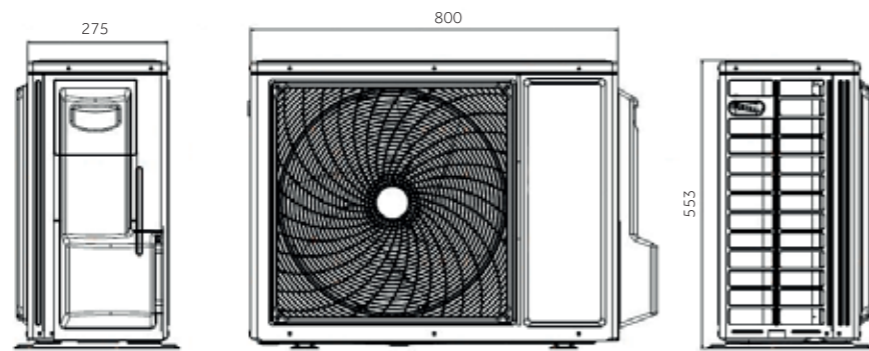


JZ100-A1

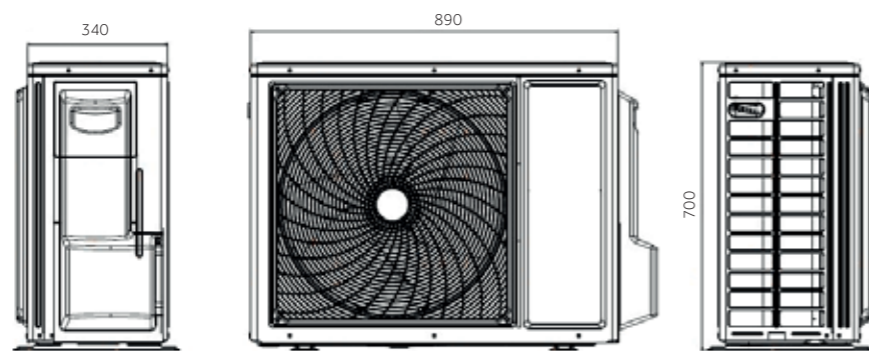


Notes

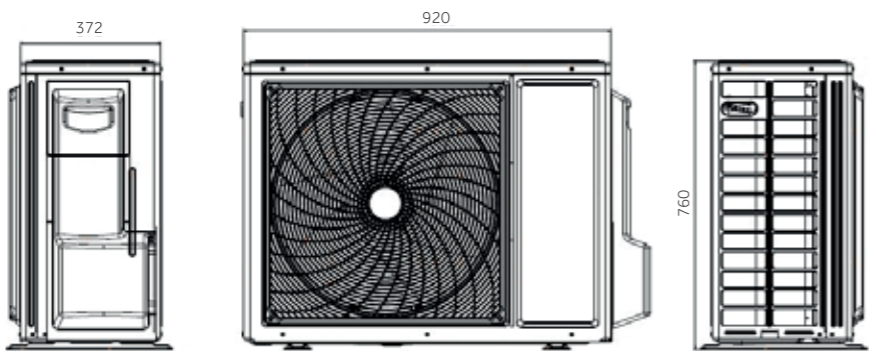
M2T050-D1



M3T070-D1



M5T100-D1





HEIKO

A General Distributor of HEIKO

REFSYSTEM Sp. z o.o.
ul. Metalowców 5, 86-300 Grudziądz
tel. +48 726 002 102

www.heiko.pl